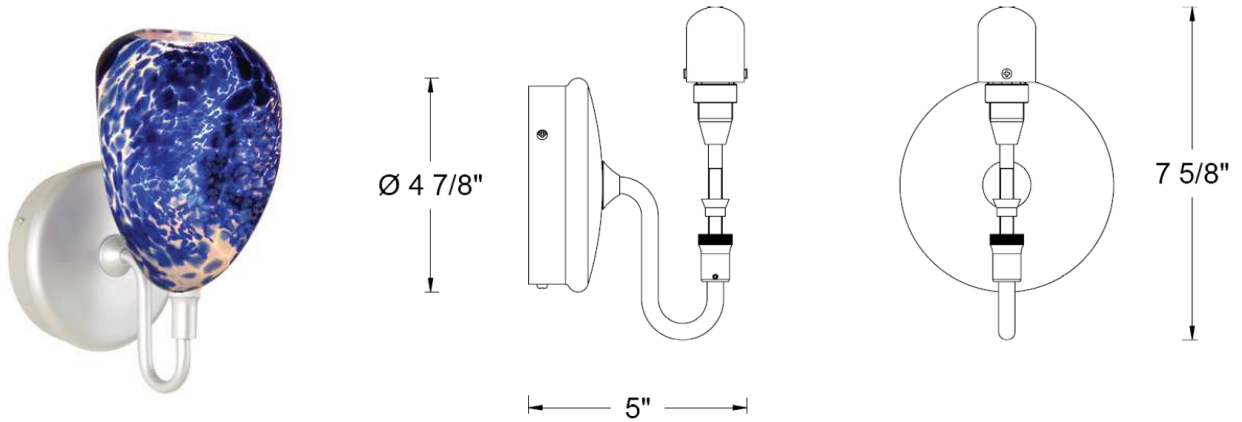


CATALOG NUMBER	TYPE
PROJECT	

DECORATIVE WALL SCONCE

LAVA



Ordering Matrix			
Model Number	Shade	Sconce Finishes	
WS61	G620BL	BN	CH

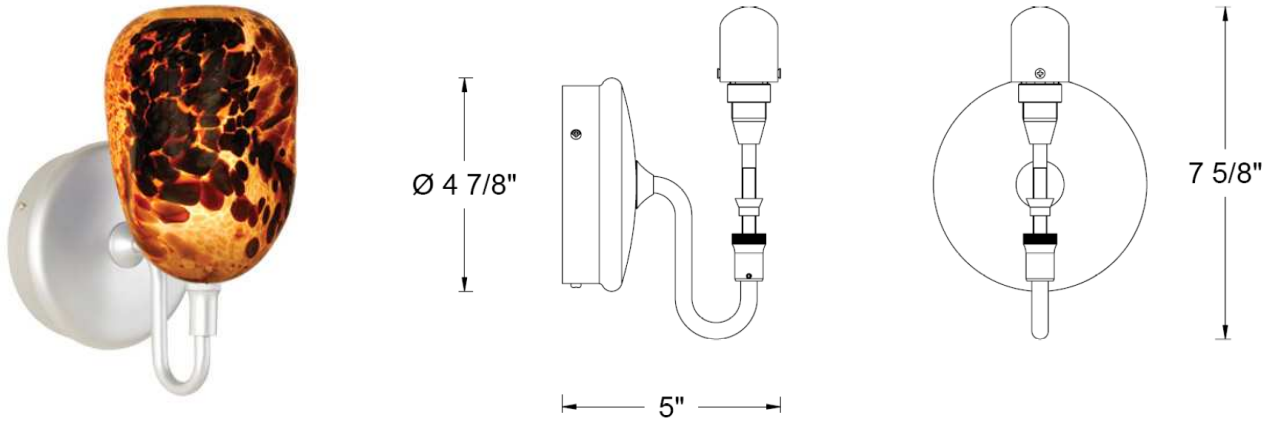
Ordering Example (model number-shade/ Sconce finishes): WS61-G620BL-BN

Product Details		Specification Features
Description:	Low voltage wall sconce with round finished metal front fascia. The sconce is made of brass, with a plated Chrome or Brushed Nickel finish and a ceramic bi pin socket with screw-on etched bulb shield. Mounting canopy includes an integral electronic transformer.	<ul style="list-style-type: none"> • Dimmable with low voltage electronic dimmers. • The screw-on bulb shield retains the glass shade and protects the lamp from dust and fingerprints. • The wall sconce is available in multiple standard glass shade styles and multiple color options • WAC electronic low voltage transformer includes auto reset, short and overload protection features. Transformer Soft Start delayed start feature extends lamp life by limiting abrupt inrush current to the lamp. • 5 year WAC Lighting product warranty.
Mounting:	Surface mounted. Installs to a standard 4" junction box.	
Lamping	12V 50w halogen bi-pin included.	
Transformer:	Integral Electronic Low Voltage Transformer. 120v/60hz input.	
Sconce Finish:	CH = Chrome BN = Brushed Nickel	
Shade:	LAVA G620BL - Blue The Lava family of hand blown cased art glass enjoys a striking blend of multiple colored frits and the unique contours of individually hand shaped forms. The organic flow of color and variable texture makes each piece one of a kind.	
Listing:	UL & CUL Listed.	

CATALOG NUMBER	TYPE
PROJECT	

DECORATIVE WALL SCONCE

LAVA



Ordering Matrix			
Model Number	Shade	Sconce Finishes	
<input type="text"/>	<input type="text"/>	<input type="text"/>	
WS61	G620BR	BN	CH

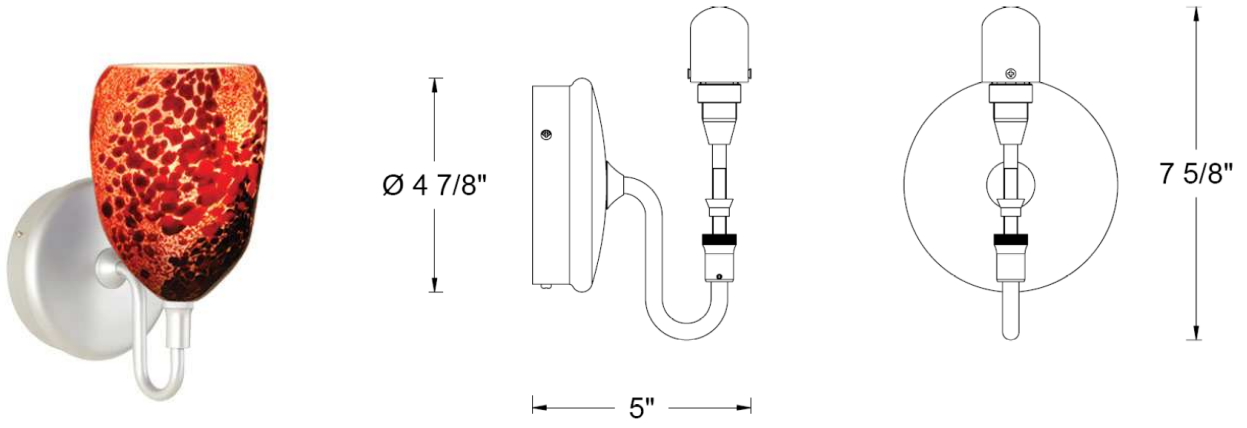
Ordering Example (model number-shade/ Sconce finishes): WS61-G620BR-BN

Product Details	
Description:	Low voltage wall sconce with round finished metal front fascia. The sconce is made of brass, with a plated Chrome or Brushed Nickel finish and a ceramic bi pin socket with screw-on etched bulb shield. Mounting canopy includes an integral electronic transformer.
Mounting:	Surface mounted. Installs to a standard 4" junction box.
Lamping	12V 50w halogen bi-pin included.
Transformer:	Integral Electronic Low Voltage Transformer. 120v/60hz input.
Sconce Finish:	CH = Chrome BN = Brushed Nickel
Shade:	LAVA G620BR - Brown The Lava family of hand blown cased art glass enjoys a striking blend of multiple colored frits and the unique contours of individually hand shaped forms. The organic flow of color and variable texture makes each piece one of a kind.
Listing:	UL & CUL Listed.

Specification Features
<ul style="list-style-type: none"> • Dimmable with low voltage electronic dimmers. • The screw-on bulb shield retains the glass shade and protects the lamp from dust and fingerprints. • The wall sconce is available in multiple standard glass shade styles and multiple color options • WAC electronic low voltage transformer includes auto reset, short and overload protection features. Transformer Soft Start delayed start feature extends lamp life by limiting abrupt inrush current to the lamp. • 5 year WAC Lighting product warranty.

CATALOG NUMBER	TYPE
PROJECT	

DECORATIVE WALL SCONCE **LAVA**



Ordering Matrix			
Model Number	Shade	Sconce Finishes	
[]	[]	[]	
WS61	G620RD	BN	CH

Ordering Example (model number-shade/ Sconce finishes): WS61-G620RD-BN

Product Details	
Description:	Low voltage wall sconce with round finished metal front fascia. The sconce is made of brass, with a plated Chrome or Brushed Nickel finish and a ceramic bi pin socket with screw-on etched bulb shield. Mounting canopy includes an integral electronic transformer.
Mounting:	Surface mounted. Installs to a standard 4" junction box.
Lamping	12V 50w halogen bi-pin included.
Transformer:	Integral Electronic Low Voltage Transformer. 120v/60hz input.
Sconce Finish:	CH = Chrome BN = Brushed Nickel
Shade:	LAVA G620RD - Red The Lava family of hand blown cased art glass enjoys a striking blend of multiple colored frits and the unique contours of individually hand shaped forms. The organic flow of color and variable texture makes each piece one of a kind.
Listing:	UL & CUL Listed.

Specification Features
<ul style="list-style-type: none"> Dimmable with low voltage electronic dimmers. The screw-on bulb shield retains the glass shade and protects the lamp from dust and fingerprints. The wall sconce is available in multiple standard glass shade styles and multiple color options WAC electronic low voltage transformer includes auto reset, short and overload protection features. Transformer Soft Start delayed start feature extends lamp life by limiting abrupt inrush current to the lamp. 5 year WAC Lighting product warranty.