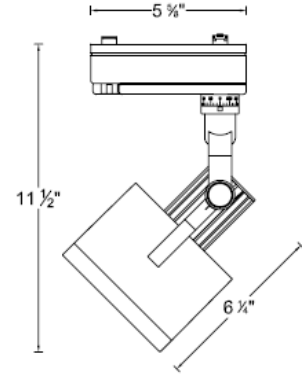
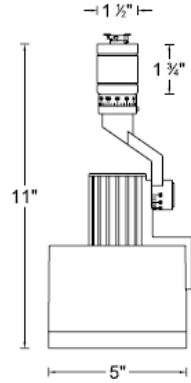




615 South Street  
 Garden City, NY 11530  
 Tel: 866.788.2100 Fax: 516.393.3084  
 www.W2lighting.com

<b>CATALOG NUMBER</b>	<b>TYPE</b>
<b>PROJECT</b>	

**VAMP SPOT – LOW VOLTAGE TRACK HEAD** **SERIES 211L**



Ordering Matrix	
Model	Finish
[ ]	[ ]
JHT-211L	BK = Black WT = White PT = Platinum

Ordering Example (model – finish): JHT-211L-WT

Product Details	Specification Features
<p><b>Description:</b> Low voltage track head using AR111 lamps. Designed for use on W.A.C. J &amp; J2 tracks. May be used on W2 track with converter. Adaptable to other manufacturer's track. (Consult factory for specific brands).</p> <p><b>Materials:</b> Die-cast aluminum fixture, cap ring and check ring. Clear 1/8 inch tempered glass lens included.</p> <p><b>Transformer:</b> Electronic transformer with auto reset, soft start, and short circuit protection.</p> <p><b>Socket:</b> Wire screw terminals.</p> <p><b>Aiming:</b> 350° horizontal rotation and 90° vertical aiming with indexing scales. Spring loaded buttons lock to secure the aiming adjustment on horizontal and vertical axis.</p> <p><b>Lamping:</b> Re-lamps from the front using 12V AR111 lamps, 75W maximum. Lamp not included.</p> <p><b>Finish:</b> Powder coat paint finish. Available in Black (BK), White (WT), Platinum (PT).</p> <p><b>Listing:</b> UL &amp; CUL Listed. Patent Pending.</p>	<ul style="list-style-type: none"> <li>Die-cast aluminum fixture with integral indexing scales to assure precise directional adjustment.</li> <li>Threaded lens cap holds up to 4 lenses and accessories securely.</li> <li>The track head utilizes the second circuit on the J2 style track with the use of the JCLIP.</li> <li>The track head may be used on W2 style track with the use of CV-2T-LV (for 120V)</li> <li>5 year product warranty.</li> </ul>

## Track Adaptor Information

**Standard Adaptor**  
For J style  
W2 & W.A.C track



**J2 Adaptor**  
For J2 style  
W2 & W.A.C track



**JCLIP**  
Ordered when using track  
heads on 2<sup>nd</sup> circuit of J2



## Converter Information

**CV-2T-LV** On 120V W2 style track



## Compatible Accessories –USE SIZE 111

• **Dichroic Lens**

LENS-111-DIC-COLOR

• **UV Filter**

LENS-111-UVF

• **IR Filter**

LENS-111-IR

• **UV- IR Filter**

LENS-111-UI

• **Beam Elongator**

LENS-111-BEL

• **Beam Soft/Beam Spread Lens**

LENS-111-BSL / LENS-111-SPR

• **Block Screen**

LENS-113-BS/ LENS-114-BS/ LENS-115-BS

• **Hood (for wall-washing)**

HOOD-111-BK

• **Cross Louver**

LENS-112-CRL

• **Snoot**

LENS-111-SNOOT

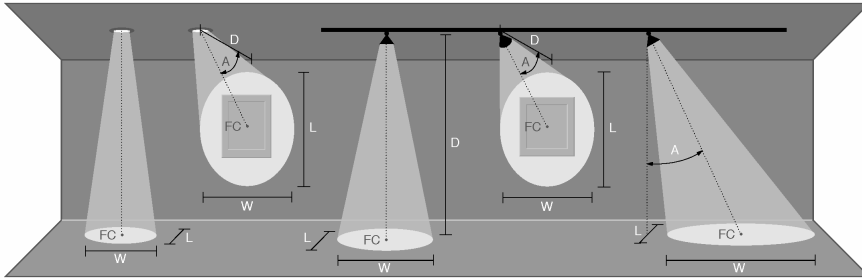
• **Honeycomb Louver**

LENS-112-HCL

• **Barn Door**

TL-111-BD

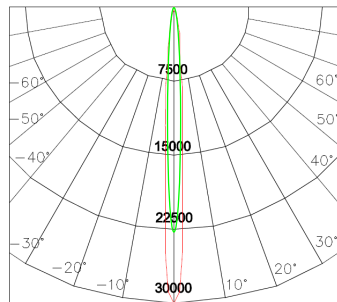
## Photometry



D Distance To Fixture From Wall Or Floor  
FC Initial Footcandle Level At Center Of Beam  
L Beam Length (where candlepower drops to 50% of maximum)  
W Beam Width (where candlepower drops to 50% of maximum)

50W AR111 (8 DEG)				
0° Aiming Angle				
D(ft)	FC	W	L	
6	641	0.8	0.8	
9	285	1.3	1.3	
12	160	1.7	1.7	
15	103	2.1	2.1	
45° Aiming Angle				
D(ft)	FC	W	L	
6	227	1.2	1.7	
9	101	1.8	2.5	
12	57	2.4	3.4	
15	36	3.0	4.2	

75W AR111 (8 DEG)				
0° Aiming Angle				
D(ft)	FC	W	L	
6	833	0.8	0.8	
9	370	1.3	1.3	
12	208	1.7	1.7	
15	133	2.1	2.1	
45° Aiming Angle				
D(ft)	FC	W	L	
6	295	1.2	1.7	
9	131	1.8	2.5	
12	74	2.4	3.4	
15	47	3.0	4.2	



75W AR111 (45 DEG)				
0° Aiming Angle				
D(ft)	FC	W	L	
6	53	5.0	5.0	
9	23	7.5	7.5	
12	13	9.9	9.9	
15	8	12.4	12.4	
45° Aiming Angle				
D(ft)	FC	W	L	
6	19	7.0	12.0	
9	8	10.5	18.0	
12	5	14.1	24.0	
15	3	17.6	30.0	

50W AR111 (24 DEG)				
0° Aiming Angle				
D(ft)	FC	W	L	
6	111	2.6	2.6	
9	49	3.8	3.8	
12	28	5.1	5.1	
15	18	6.4	6.4	
45° Aiming Angle				
D(ft)	FC	W	L	
6	39	3.6	5.3	
9	17	5.4	8.0	
12	10	7.2	10.7	
15	6	9.0	13.4	

75W AR111 (24 DEG)				
0° Aiming Angle				
D(ft)	FC	W	L	
6	147	2.6	2.6	
9	65	3.8	3.8	
12	37	5.1	5.1	
15	24	6.4	6.4	
45° Aiming Angle				
D(ft)	FC	W	L	
6	52	3.6	5.3	
9	23	5.4	8.0	
12	13	7.2	10.7	
15	8	9.0	13.4	

