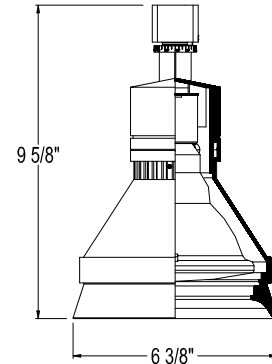
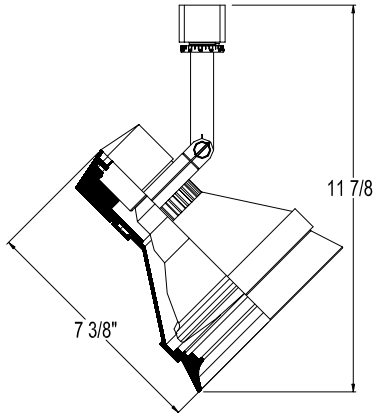


<u>CATALOG NUMBER</u>	<u>TYPE</u>
<u>PROJECT</u>	

PRECISION SPOT - LINE VOLTAGE TRACK HEAD

SERIES 737



Ordering Matrix

Model			Finish			Accessories
HTK-737	LTK-737	JTK-737	BK	WT	BK/PT	See table below*

Ordering Example (model + finish + accessory) : JTK-737-BK-LENS-38-DIC-GRN

Product Details

Description:	Precision Spot series line voltage track heads using PAR38 lamps. Designed for use with W•A•C H, L, J and J2 series track. In addition they may fit other manufacturer's original track (consult factory for specific brands).
Materials:	Die-cast aluminum fixture, cap ring and check ring. Heavy gauge aiming screws painted to match fixture finish.
Socket:	Medium base 250V porcelain socket with nickel-plated copper screw shell.
Aiming:	350° horizontal rotation and 90° vertical aiming with built-in degree scales on fixture. Two aiming screws (one on each side of fixture) allow for locking fixture aiming angle.
Lamping:	Re-lamps from the front using medium base PAR38 lamps, 150W max.
Finish:	Abrasion resistant powder coat paint finish. Available in Black (BK), White (WT), and Black on Platinum (BK/PT).
Listing:	UL & CUL Listed. Patent Pending.
Accessories:	Accepts one or two accessories within the form fitting cap ring. *Compatible accessories are ordered separately.

Specification Features

- Specification grade die-cast aluminum fixture with integral aiming indicators to assure precise directional adjustment.
- Threaded easy turn check ring within lens cap allows for multiple captive accessories.
- PAR38 lamp beams available in 9, 12, 25, 30 & 50 degrees to allow for a wide variety of application specific lighting patterns.
- Straight forward design allows for tool less re-lamping of fixture.
- The J style head may be installed on "J2" 2-circuit track with the addition of the J-CLIP option.
- 2 year W•A•C Lighting product warranty.

Compatible Accessories

LENS-38-CRL
Cross Louver



LENS-38-HCL
Honeycomb Louver



LENS-38-COLOR
Colored Lenses
AMB = Amber
BLU = Blue GRN = Green
RED = Red YEL = Yellow



LENS-38-DIC-COLOR
Dichroic Lenses
AMB = Amber
BLU = Blue GRN = Green
RED = Red YEL = Yellow



Track Adaptor Information

L Adaptor
For L style
W•A•C track



H Adaptor
For H style
W•A•C track



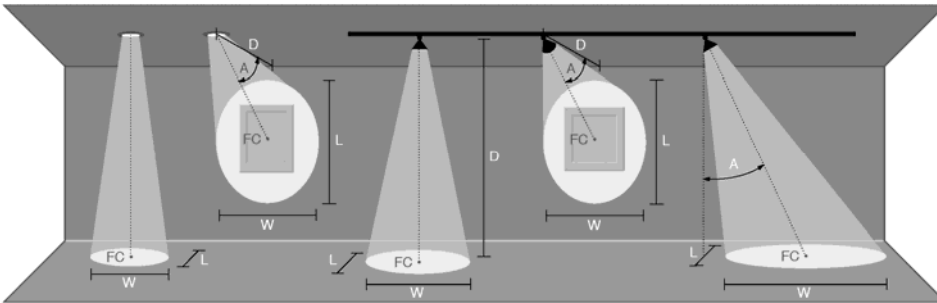
J Adaptor
For J style
W•A•C track



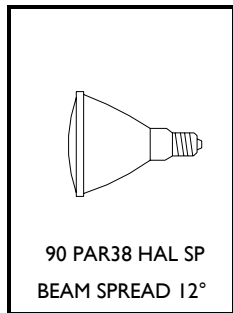
J2 Adaptor
For J2 style
W•A•C track
(JTK + J-Clip)



Photometry

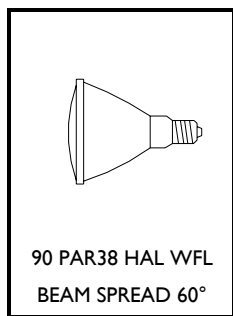
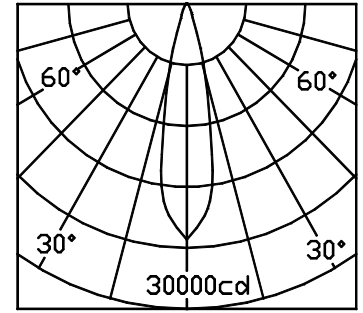


D Distance To Fixture From Wall Or Floor
FC Initial Footcandle Level At Center Of Beam
L Beam Length (where candlepower drops to 50% of maximum)
W Beam Width (where candlepower drops to 50% of maximum)



0° Aiming Angle				
D (ft)	FC	W	L	
3	2929	0'8"	0'8"	
6	732	1'3"	1'3"	
9	325	1'11"	1'11"	
12	183	2'6"	2'6"	
15	117	3'2"	3'2"	

45° Aiming Angle				
D (ft)	FC	W	L	
3	1035	0'11"	1'3"	
6	259	1'9"	2'7"	
9	115	2'8"	3'10"	
12	65	3'7"	5'1"	
15	41	4'6"	6'5"	



0° Aiming Angle				
D (ft)	FC	W	L	
3	156	3'6"	3'6"	
6	39	6'11"	6'11"	
9	17	10'5"	10'5"	
12	10	13'10"	13'10"	
15	6	17'4"	17'4"	

45° Aiming Angle				
D (ft)	FC	W	L	
3	55	4'11"	10'5"	
6	14	9'10"	20'9"	
9	6	14'8"	31'2"	
12	3	19'7"	41'7"	
15	2	24'6"	52'0"	

