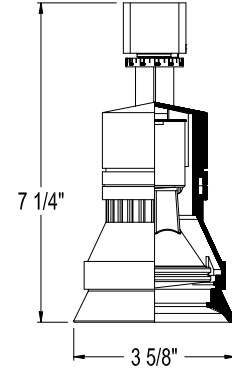
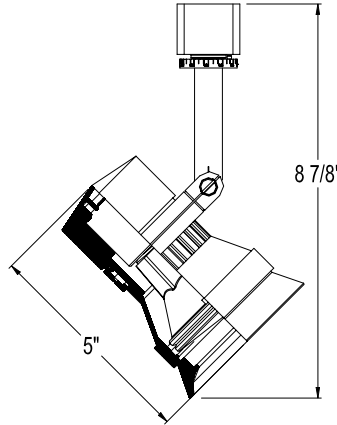


<b>CATALOG NUMBER</b>	<b>TYPE</b>
<b>PROJECT</b>	

**PRECISION SPOT – LINE VOLTAGE TRACK HEAD** **SERIES 715**







Ordering Matrix						
Model			Finish			Accessories
HTK-715	LTK-715	JTK-715	BK	WT	BK/PT	See table below*

Ordering Example (model + finish + accessory) : LTK-715-BK/PT-LENS-20-HCL

Product Details	
<b>Description:</b>	Precision Spot series line voltage track heads using PAR20 lamps. Designed for use with W•A•C H, L, J and J2 series track. In addition they may fit other manufacturer's original track (consult factory for specific brands).
<b>Materials:</b>	Die-cast aluminum fixture, cap ring and check ring. Heavy gauge aiming screws painted to match fixture finish.
<b>Socket:</b>	Medium base 250V porcelain socket with nickel-plated copper screw shell.
<b>Aiming:</b>	350° horizontal rotation and 90° vertical aiming with built-in degree scales on fixture. Two aiming screws (one on each side of fixture) allow for locking fixture aiming angle.
<b>Lamping:</b>	Re-lamps from the front using medium base PAR20 lamps, 50W max.
<b>Finish:</b>	Abrasion resistant powder coat paint finish. Available in Black (BK), White (WT), and Black on Platinum (BK/PT).
<b>Listing:</b>	UL & CUL Listed. Patent Pending.
<b>Accessories:</b>	Accepts one or two accessories within the form fitting cap ring. *Compatible accessories are ordered separately.

Specification Features
<ul style="list-style-type: none"> <li>• Specification grade die-cast aluminum fixture with integral aiming indicators to assure precise directional adjustment.</li> <li>• Threaded easy turn check ring within lens cap allows for multiple captive accessories.</li> <li>• PAR20 lamp beams available in 10, 16, 25, 30 &amp; 40 degrees to allow for a wide variety of application specific lighting patterns.</li> <li>• Straight forward design allows for tool less re-lamping of fixture.</li> <li>• The J style head may be installed on "J2" 2-circuit track with the addition of the J-CLIP option.</li> <li>• 2 year W•A•C Lighting product warranty.</li> </ul>

Compatible Accessories			
LENS-20-CRL Cross Louver		LENS-20-HCL Honeycomb Louver	
		LENS-20-COLOR Colored Lenses AMB = Amber BLU = Blue GRN = Green RED = Red YEL = Yellow	
		LENS-20-DIC-COLOR Dichroic Lenses AMB = Amber BLU = Blue GRN = Green RED = Red YEL = Yellow	

## Track Adaptor Information

L Adaptor  
For L style  
W•A•C track



H Adaptor  
For H style  
W•A•C track



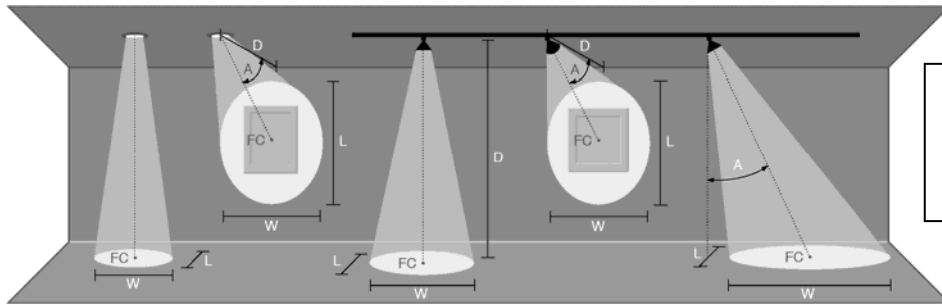
J Adaptor  
For J style  
W•A•C track



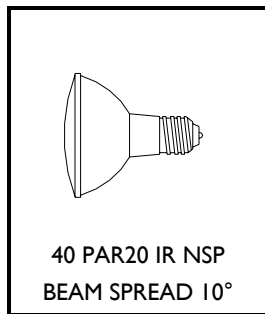
J2 Adaptor  
For J2 style  
W•A•C track  
(JTK + J-Clip)



## Photometry



D Distance To Fixture From Wall Or Floor  
FC Initial Footcandle Level At Center Of Beam  
L Beam Length (where candlepower drops to 50% of maximum)  
W Beam Width (where candlepower drops to 50% of maximum)

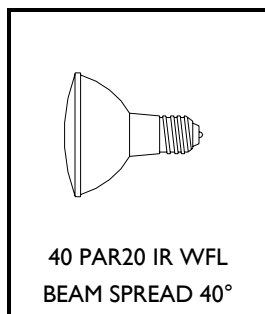
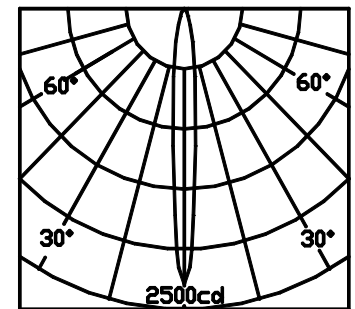


### 0° Aiming Angle

D (ft)	FC	W	L
3	559	0'6"	0'6"
6	140	1'1"	1'1"
9	62	1'7"	1'7"
12	79	2'1"	2'1"
15	22	2'7"	2'7"

### 45° Aiming Angle

D (ft)	FC	W	L
3	198	0'9"	1'1"
6	49	1'6"	2'1"
9	22	2'3"	3'2"
12	12	3'0"	4'3"
15	8	3'9"	5'3"



### 0° Aiming Angle

D (ft)	FC	W	L
3	112	2'2"	2'2"
6	28	4'4"	4'4"
9	12	6'7"	6'7"
12	7	8'9"	8'9"
15	4	10'11"	10'11"

### 45° Aiming Angle

D (ft)	FC	W	L
3	40	0'9"	1'1"
6	10	1'6"	2'1"
9	4	2'3"	3'2"
12	2	3'0"	4'3"
15	2	3'9"	5'3"

