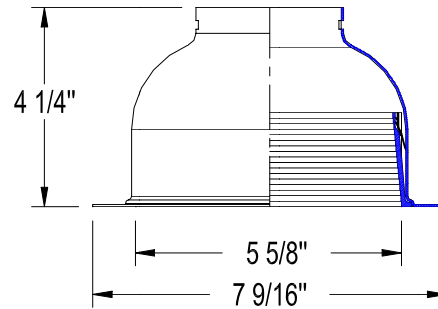


CATALOG NUMBER	TYPE
PROJECT	

6" PREMIUM LINE VOLTAGE DOWNLIGHT TRIM **R6VT-62-S**



Ordering Matrix			
Series	Model Number	Finish	
R6VT	62-S	BK	WT

Ordering Example (series – model number – finish): R6VT-62-S-BK

Product Details	Specification Features
<p>Application: Shallow ceiling down light trim, 1-inch maximum ceiling thickness. Provides broad area illumination. Used with incandescent lamp housings.</p> <p>Materials: One-piece aluminum construction. Integral trim ring is painted white, baffle is painted aluminum. Trim is retained to socket via spring clips.</p> <p>Finish: BK = Black baffle with White trim WT = White baffle with White trim</p> <p>Ratings: UL & CUL listed.</p>	<ul style="list-style-type: none"> Suitable for damp locations 5 year WAC Lighting product warranty.

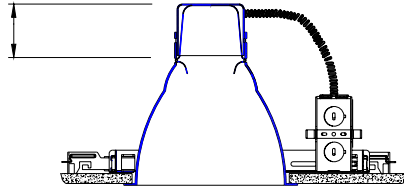
Compatible Housings (sold separately)					
<p>R6VI-B-ICA Insulation Contact & Air Tight New Construction Incandescent Lamp: A19 60W PAR30 75W</p>		<p>R6VI-S-ICA Insulation Contact & Air Tight Shallow New Construction Incandescent Lamp: A19 60W PAR30 75W</p>		<p>R6VI-S-R-ICA Insulation Contact & Air Tight Shallow Remodeling Incandescent Lamp: A19 60W PAR30 75W</p>	
<p>R6VI Non IC Frame-in Style New Construction Incandescent Lamp: A19 60W PAR30 75W</p>		<p>R6VI-R-ICA Insulation Contact & Air Tight Remodeling Incandescent Lamp: A19 60W PAR30 75W</p>		<p>R6VI-ICA Insulation Contact & Air Tight New Construction Incandescent Lamp: A19 60W PAR30 75W</p>	

*Housing available in emergency version. Specify "EM" as suffix.

CATALOG NUMBER	TYPE
PROJECT	

6" PREMIUM LINE VOLTAGE DOWNLIGHT TRIM

R6VT-62-S



Socket cup adds a maximum of 2 1/8" to the height of the trim when used with frame in kits.