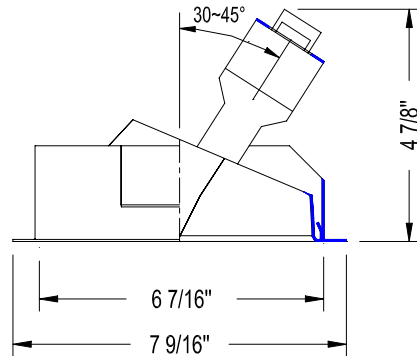


CATALOG NUMBER	TYPE
PROJECT	

6" LINE VOLTAGE SLOPED CEILING DOWNLIGHT TRIM **R6VT-42**



Ordering Matrix		
Series	Model Number	Finish
R6VT	42	SC

Ordering Example (series – model number – finish): R6VT-42-SC

Product Details	Specification Features
<p>Application: Sloped ceiling down light trim, 1-inch maximum ceiling thickness suitable for slopes 30° to 45°, 7/12 - 12/12 pitch.</p> <p>Materials: Spun aluminum construction. Integral trim ring is painted white, baffle is painted aluminum.</p> <p>Finish: SC = Specular Clear baffle with White trim</p> <p>Ratings: UL & CUL listed.</p>	<ul style="list-style-type: none"> • Suitable for damp locations • 5 year WAC Lighting product warranty.

Compatible Housings (sold separately)	
<p>R6VI-B-ICA Insulation Contact & Air Tight New Construction Incandescent Lamp: PAR30 75W</p>	