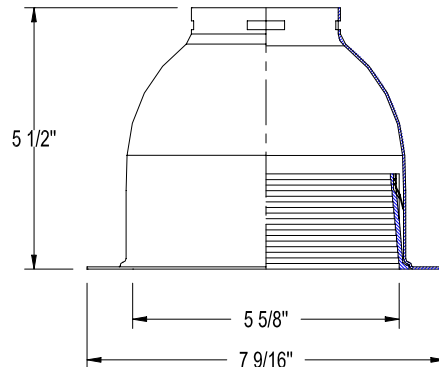


<b>CATALOG NUMBER</b>	<b>TYPE</b>
<b>PROJECT</b>	

**6" PREMIUM DOWNLIGHT TRIM** **R6VT-32**



Ordering Matrix			
Series	Model Number	Finish	
[ ]	[ ]	[ ]	
R6VT	32	BK	WT

Ordering Example (series – model number – finish): R6VT-32-WT

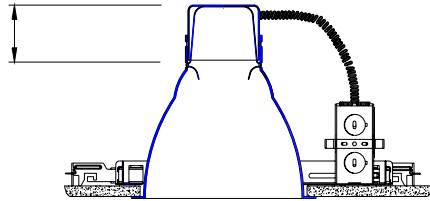
Product Details		Specification Features
<b>Application:</b>	Ceiling down light trim, 1-inch maximum ceiling thickness. Provides smooth broad area illumination without shadows. Used with incandescent or fluorescent lamp housings.	<ul style="list-style-type: none"> <li>• Suitable for damp locations</li> <li>• 5 year WAC Lighting product warranty.</li> </ul>
<b>Materials:</b>	One-piece spun aluminum construction. Integral trim ring is painted white, interior reflector is anodized aluminum. Trim is retained to socket via spring clips.	
<b>Finish:</b>	BK = Black baffle with White trim WT = White baffle with White trim	
<b>Ratings:</b>	UL & CUL listed.	

Compatible Housings ( sold separately)					
R6VI-B-ICA Insulation Contact & Air Tight New Construction Incandescent <b>Lamp:</b> PAR30 75W PAR38 90W		R6VF-113Q* Non IC Frame-in Style New Construction Fluorescent <b>Lamp:</b> Quad 13W G24Q-1		R6VF-126/32T* Non IC Frame-in Style New Construction Fluorescent <b>Lamp:</b> Tri-Tube 26/32W GX24Q-3	
R6VI Non IC Frame-in Style New Construction Incandescent <b>Lamp:</b> A21 150W PAR38 150W		R6VI-R-ICA Insulation Contact & Air Tight Remodeling Incandescent <b>Lamp:</b> PAR30 75W PAR38 75W		R6VI-ICA Insulation Contact & Air Tight New Construction Incandescent <b>Lamp:</b> PAR30 75W PAR38 75W	

\*Housing available in emergency version. Specify "EM" as suffix.

<b>CATALOG NUMBER</b>	<b>TYPE</b>
<b>PROJECT</b>	

**6" PREMIUM DOWNLIGHT TRIM** **R6VT-32**



Socket cup adds a maximum of 2 1/8" to the height of the trim when used with frame in kits.