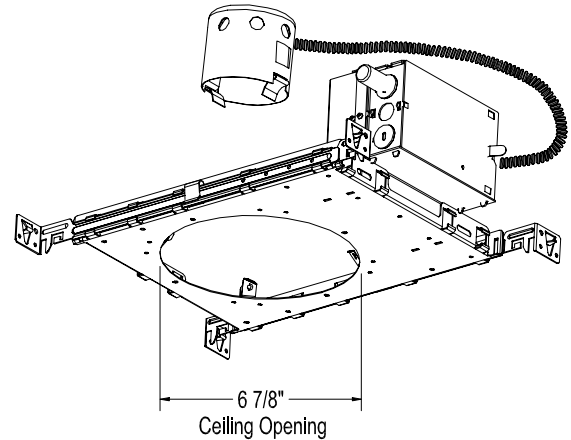


MODEL R6VM-P38E17-E70



Ordering information

R6VM	-	P38E17	-	E	70	-
Series		Lamp(s)		Ballast Type	Wattage	Voltage
R6VF Recessed 6 inch Vertical Metal Halide		P38E17 PAR38-MH or ED17P MH		M - Magnetic E - Electronic	70 - 70W 100 - 100W	Blank - 120V F - 277V

Product Features

Application: Metal Halide New construction housing frame in kit. Requires 3" minimum clearance from insulation. Maximum 1 inch ceiling thickness.

J Box: Junction box is accessible from below the ceiling, for inspection or replacement. Box is attached to the ballast. Supplied with eight standard knockouts, and four integral Romex® clamps. Plug-in connectors allow wiring before the housing installation. Rated for through branch wiring.

Mounting: Supplied with hanger bars adjustable to 25". Bars have score lines and can be cut to accommodate 12" joist spans. Bars have notches for easy installation on T-bars. Hanger bars mount on all four sides.

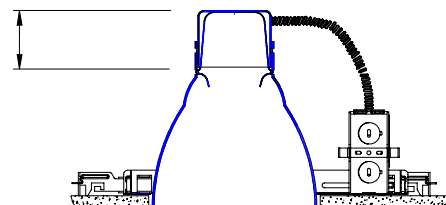
Material: 20 gauge galvanized steel with medium base ceramic / nickel-plated socket, 4KV pulse rated.

Ballast: Thermally protected electronic HPF.
 Input voltage 120V 50/60 Hz
 Ansi# metal halide M143, M139, M98 ceramic or approved quartz lamp ceramic.
 Input power: 79W.
 Input current maximum: 120V:0.67A
 Harmonic distortion <15%.
 EMF/RFI: complies with FCC 18C, non-consumer limits.
 Lamp current crest factor: 1.2 typical.
 Warranty: 5 years max case temp <75°C
 3 years max case temp <80°C.

Listing

UL & CUL listed. Suitable for damp locations.




W.A.C. reserves the right to change details that do not affect overall function and performance.



Socket cup adds a maximum of 2 1/8" to the height of the trim when used with frame in kits.

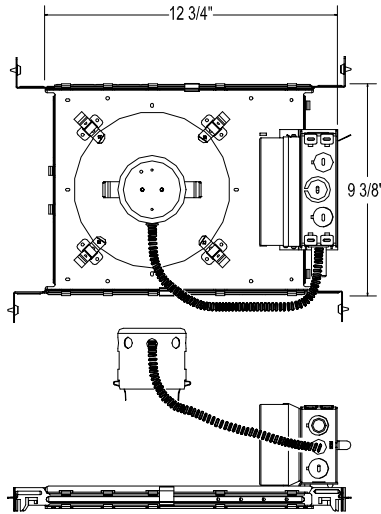


MODEL R6VM-P38E17-E70

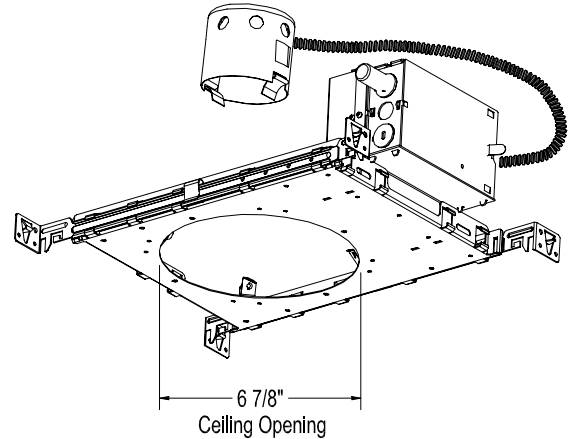
<p>R6VT-21-MH-□□ Finishes: SC, SG Lamp: ED17P MH 70W PAR38 MH 70W</p>		<p>R6VT-27-MH-□□ Finishes: SC Lamp: ED17P MH 70W PAR38 MH 70W</p>		<p>R6VT-29-MH-□□ Finishes: BK, WT Lamp ED17P MH 70W : PAR38 MH 70W</p>	
--	---	--	--	---	---

Finish Key: BK-Black, SA-Satin Aluminum, SBK-Specular Black, SC-Specular Clear, SG-Specular Gold, WT-White
 All trims are white, finish choices refer to baffle or reflector color.

*Trim finish is the same as the reflector.



MODEL R6VM-P38E17-E100



Ordering information

R6VM	-	P38E17	-	E	100	
Series		Lamp(s)		Ballast Type	Wattage	Voltage
R6VF Recessed 6 inch Vertical Metal Halide		P38E17 PAR38-MH or ED17P MH		M - Magnetic E - Electronic	70 - 70W 100 - 100W	Blank - 120V F - 277V

Product Features

Application: Metal Halide New construction housing frame in kit. Requires 3" minimum clearance from insulation. Maximum 1 inch ceiling thickness.

J Box: Junction box is accessible from below the ceiling, for inspection or replacement. Box is attached to the ballast. Supplied with eight standard knockouts, and four integral Romex® clamps. Plug-in connectors allow wiring before the housing installation. Rated for through branch wiring.

Mounting: Supplied with hanger bars adjustable to 25". Bars have score lines and can be cut to accommodate 12" joist spans. Bars have notches for easy installation on T-bars. Hanger bars mount on all four sides.

Material: 20 gauge galvanized steel with medium base ceramic/nickel-plated socket, 4KV pulse rated.

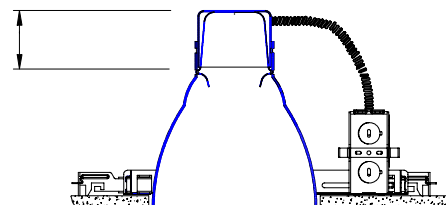
Ballast: Thermally protected Electronic HPF. Universal 120 -277 Volt, 50/60 Hz. Ansi# metal halide M140, M90 ceramic. Input power: 110W.

Input current maximum: 120V:0.90A / 277V:0.41A
 Harmonic distortion <15%.
 EMF/RFI: complies with FCC 18C, non-consumer limits.
 Lamp current crest factor: 1.2 typical
 Warranty: 5 years max case temp <75°C
 3 years max case temp <80°C

Listing

UL & CUL listed. Suitable for damp locations.




W.A.C. reserves the right to change details that do not affect overall function and performance.



Socket cup adds a maximum of 2 1/8" to the height of the trim when used with frame in kits.



MODEL R6VM-P38E17-E100

<p>R6VT-21-MH-□□ Finishes: SC, SG Lamp: ED17P MH 100W PAR38 MH 100W</p>		<p>R6VT-27-MH-□□ Finishes: SC Lamp: ED17P MH 100W PAR38 MH 100W</p>		<p>R6VT-29-MH-□□ Finishes: BK, WT Lamp: ED17P MH 100W PAR38 MH 100W</p>	
---	---	---	--	---	---

Finish Key: BK-Black, SA-Satin Aluminum, SBK-Specular Black, SC-Specular Clear, SG-Specular Gold, WT-White
 All trims are white, finish choices refer to baffle or reflector color.

*Trim finish is the same as the reflector.