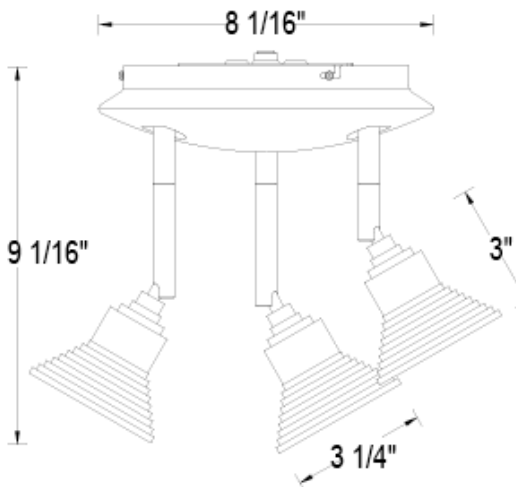


<b>CATALOG NUMBER</b>	<b>TYPE</b>
<b>PROJECT</b>	

**LOW VOLTAGE SURFACE MOUNT**

**MODEL PAN-866**



Ordering Matrix			
Model	Series	Finish	
<input type="text"/>	<input type="text"/>	<input type="text"/>	
PAN	866	WT/PT	WT/WT

Ordering Example (model number – series – finish): PAN-866-WT/WT

Product Details	
<b>Description:</b>	Surface mount triple track head canopy and integral electronic transformers. Canopy base covers a standard junction box.
<b>Materials:</b>	Die-cast aluminum fixtures with bi-pin ceramic sockets integral 18 gauge teflon insulated wires. Supplied with tempered clear glass lenses.
<b>Transformer:</b>	Electronic transformer with auto reset, soft start, and short circuit protection features. 120v to 12v. Dimming with electronic low voltage dimmers is recommended.
<b>Aiming:</b>	350° horizontal rotation and 90° vertical aiming.
<b>Lamping:</b>	Re-lamps from the front using MR16 lamps, 3x50W maximum.
<b>Finish:</b>	Abrasion resistant powder coat paint finish. Available in WT/PT – White/Platinum, WT/WT – White/White
<b>Listing:</b>	UL & CUL Listed.
<b>Accessories:</b>	Accepts a single lens accessory in place of the supplied tempered clear glass lens. Compatible accessories are ordered separately.

Specification Features
<ul style="list-style-type: none"> <li>Staggered track heads provide a wide range of coverage while still being compact in size and space.</li> <li>Special lens types such as spread lenses and UV lenses can be ordered from WAC and used in place of the supplied clear lens.</li> <li>Electronic transformer soft start feature is designed to protect lamps from abrupt inrush current. The solid state circuitry promotes cool and quiet operation.</li> <li>May be used in utility rooms, service areas, kitchens, or any room where a decorative multiple aiming source with a small footprint is needed.</li> <li>5 year WAC Lighting product warranty.</li> </ul>