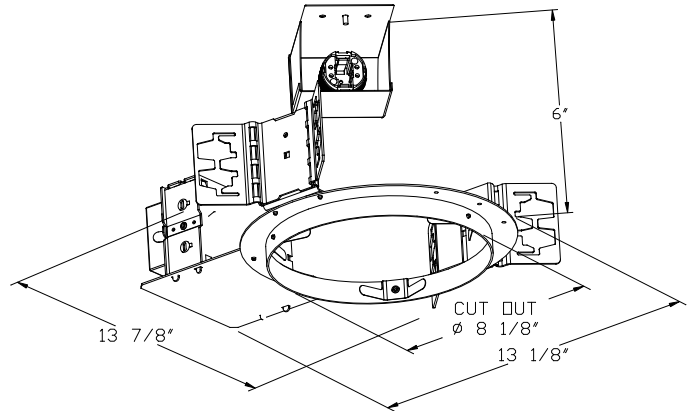
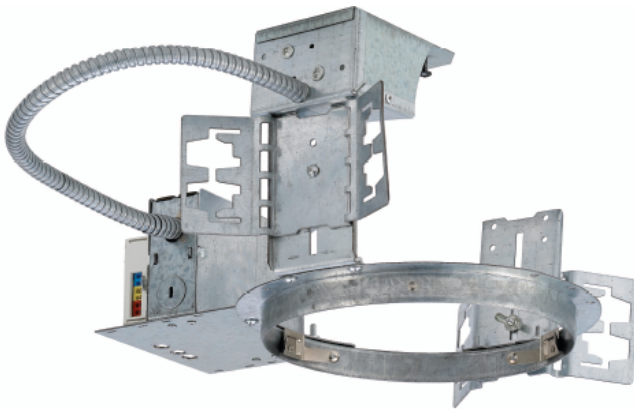



<b>CATALOG NUMBER</b>	<b>TYPE</b>
<b>PROJECT</b>	

**8" CFL DOWNLIGHT** **MODEL R8HF-S**



Ordering Matrix	
Model	Trim
<b>R8HF-S</b>	
<i>R= Recessed 8=8 inch H=Horizontal S=Single</i>	<i>see page two for selection</i>

Ordering Example (model - series + trim) : R8HF-S + trim number


Product Details	
<b>Description:</b>	Eight-inch downlight rated for use with one 26 or 32 or 42w compact fluorescent lamp.
<b>Materials:</b>	Frame and junction box are 20 gauge steel. Electrical component is a G24q base 600V PBT socket, high temp rated.
<b>J-Box:</b>	Seven knockouts and four Romex® style wiring connectors provided for ease of installation. Rated for branch wiring.
<b>BALLAST</b>	High Power Factor solid state ballast suitable input voltage ranging from 120-277v. Ballasts provide automatic termination upon end or lamp life. Outboard mounted to reduce transfer and maintain lamp efficacy and life.
<b>Lamping:</b>	Accepts G24q base CFL lamps, Lamps are sold separately.
<b>Ratings:</b>	Non-IC rated. Insulation must be kept at least 3" away from the housing. U.L. and C.U.L. listed. Suitable for damp locations.
<b>Mounting:</b>	Install mounting frame using adjustable mounting bracket to mounting bar. Use 3/4" or 1 1/2" lathing channel, 1/2" EMT, or optional mounting bars.

Specification Features
<ul style="list-style-type: none"> <li>• Provided with Push-in wire connector for easy installation.</li> <li>• Junction box is accessible from below the ceiling. Spring loaded door for easy access to wiring.</li> <li>• Socket cup install with trim easily.</li> <li>• 5 year WAC Lighting product warranty.</li> </ul>

<b>CATALOG NUMBER</b>	<b>TYPE</b>
<b>PROJECT</b>	

**8" CFL DOWNLIGHT** **MODEL R8HF-S**

**Compatible Trims ( Sold separately ) :**

<p><b>R8HT-04-□ □/WT</b> Reflector Finish: SC Flange Finish: WT</p> <p>Lamping: 1X26W PL-T 1X32W PL-T 1X42W- PL-T</p>		<p><b>R8HT-05-□ □/WT</b> Reflector Finish: WT,BK Flange Finish: WT</p> <p>Lamping: 1X26W PL-T 1X32W PL-T 1X42W- PL-T</p>	
<p><b>R8HT-06-□ □/WT</b> Reflector Finish: SC,WT Flange Finish: WT</p> <p>Lamping: 1X26W PL-T 1X32W PL-T 1X42W- PL-T</p>			

Finish Key:  
BK = Black, SC = Specular Clear, WT = White

**Notes:**  
The full catalog number for a complete downlight includes the model numbers for both the trim and the housing.  
Additional information regarding each individual trim can be viewed on the individual trim spec sheets.