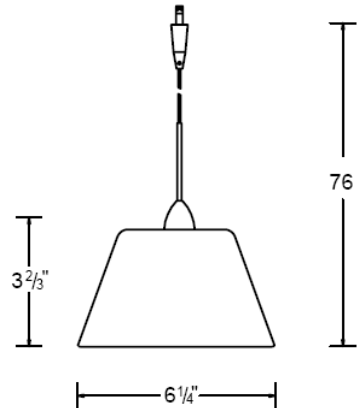


CATALOG NUMBER	TYPE
PROJECT	

KALEIDOSCOPE COLLECTION

QUICK CONNECT™ pendants- DAPPER



Ordering Matrix		
Model	Glass	Socket Set Finish
QP598	WT-White	BN – Brushed Nickel CH – Chrome DB – Dark Bronze

Example (Model-Glass/Socket Set Finish) : QP598-WT/BN

Product Details		Specification Features
Description:	Complete set includes hand blown cased glass shade, socket set and lamp for use with all WAC QUICK CONNECT™ systems. May also be compatible with other manufacturers quick connect systems. Consult WAC for system compatibility information.	<ul style="list-style-type: none"> ● QP598 requires proper QUICK CONNECT™ adapter to use with WAC's low voltage rail and track systems (DUORAIL™, SOLORAIL™ and Linear track), line voltage track systems, (FLEXRAIL1™ and 120v track) and monopoint and multipoint canopies. ● Complete set should include glass shade (G598), socket set and lamp ● 6' long socket set cable, field cuttable ● Socket set finishes include Brushed Nickel (BN), Chrome (CH) & Dark Bronze (DB) ● 5 year product warranty.
Materials:	QP598-WT/BN consists of three parts: (1) G598-WT White art glass shade (1) QP-501-BN Pendant socket set (1) JC-50 Halogen Bi-Pin lamp (included)	
Socket:	Include 6' of braided cable and hang-straight tube.	
Shade:	Elegant and charming, these hand blown cased glass pendants are etched by hand. The glass shade measures as follows: 3 2/3 " H x 6 1/4 " Ø	
Wattage:	12v 50w max.	
Finish:	WT/BN - White pendant and Brushed Nickel socket WT/CH - White pendant and Chrome socket WT/DB - White pendant and Dark Bronze socket	
Listing:	UL & CUL Listed.	