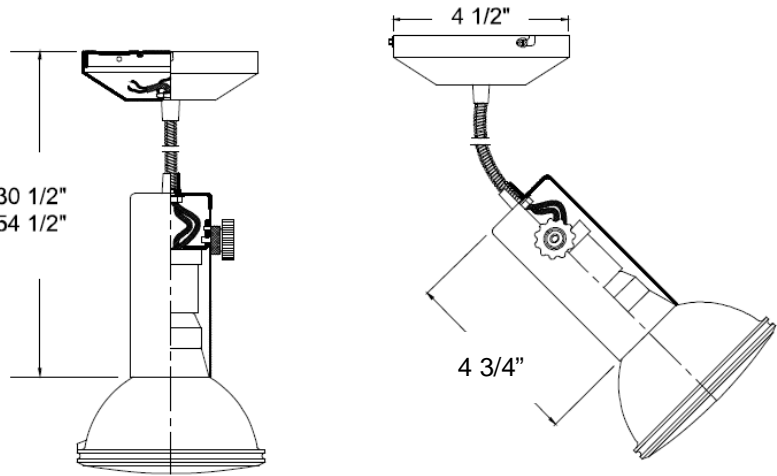


CATALOG NUMBER	TYPE
PROJECT	

LINE VOLTAGE DISPLAY LIGHTING MODEL MO-024 & MO-048



Model 024 - 30 1/2"
Model 048 - 54 1/2"



Pictured with PAR 30 Lamp

Ordering Matrix		
Model	Series	Finish
[]	[]	[]
MO	024	BK WT

Ordering Example (model number – series – finish) : MO-024-BK

Product Details																	
Description:	Surface mount fixture for ceiling applications. Canopy covers a standard junction box. Available in 24" or 48" lengths.																
Materials:	Fixture head and canopy are steel. Flexible arm is steel.																
Aiming:	Flexible arm permits multiple aiming angles.																
Lamping:	<table border="0"> <tr> <td>Lamp Type</td> <td>Wattage</td> </tr> <tr> <td>G</td> <td>40-150W</td> </tr> <tr> <td>A</td> <td>40-150W</td> </tr> <tr> <td>R</td> <td>30-150W</td> </tr> <tr> <td>PAR16</td> <td>40-75W</td> </tr> <tr> <td>PAR20</td> <td>30-50W</td> </tr> <tr> <td>PAR30</td> <td>50-75W</td> </tr> <tr> <td>PAR38</td> <td>45W-150W</td> </tr> </table>	Lamp Type	Wattage	G	40-150W	A	40-150W	R	30-150W	PAR16	40-75W	PAR20	30-50W	PAR30	50-75W	PAR38	45W-150W
Lamp Type	Wattage																
G	40-150W																
A	40-150W																
R	30-150W																
PAR16	40-75W																
PAR20	30-50W																
PAR30	50-75W																
PAR38	45W-150W																
Finish:	BK = Black WT = White BN = Brushed Nickel																
Accessories:	Barn Doors for Par lamps sizes Par20, Par30, and Par38. Specify PAR20BD, PAR30BD or PAR38BD (BK, WT).																
Listing:	U.L. & C.U.L. listed.																

Specification Features
<ul style="list-style-type: none"> • Fixture also available as a track head (see Line Volt Track Head section) • Socket: Porcelain with Nickel shell. Adjustable length socket accommodates various bulb styles and lengths. • Re-lamps from the front. • 5 year WAC Lighting product warranty.