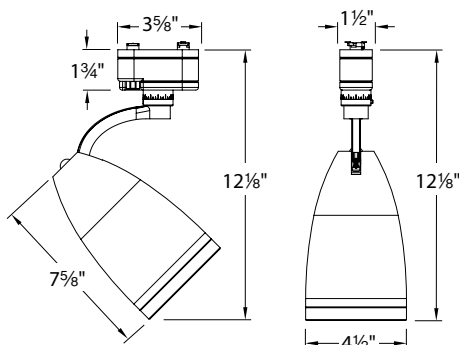


LARC – model: 331

120V Track – PAR30 Line Voltage Luminaire



Fixture Type:

Catalog Number:

Project: _____

Location: _____

PRODUCT DESCRIPTION

120V Metal Halide track head using PAR30S lamps. Designed for use with WAC Lighting track and compatible with other manufacturer's track. (Consult factory for specific brands).

FEATURES

- 350° horizontal rotation and 90° vertical aiming with indexing scales, Spring loaded buttons lock to secure the aiming adjustment on horizontal and vertical axis
- Easily re-lamped from the front
- Utilize the second circuit on the J2 style track with the use of the JCLIP
- Accommodates up to 2 lenses and one accessory
- 5 year WAC Lighting product warranty

SPECIFICATIONS

Construction: Die-cast aluminum fixture, cap ring and check ring. Clear 1/8" tempered glass lens included.

Input voltage: 120VAC/60Hz.

Lamp: 120V PAR30S, 75W max (not included).

Finish: Powder coat paint. Available in Black (BK) and White (WT).

Standards: UL & CUL Listed, Patent Pending.

ORDER NUMBER

System	Model #	Finish
LTK L Track	331	BK Black
HTK H Track		WT White
JTK J Track		

FINISHES



- **331** -

Example: **LTK-331-WT**

ACCESSORIES

Color Lens	LENS-30-AMB	Amber	UV Filter	LENS-30-UVF
Dichroic Color Lens	LENS-30-DIC-	BLU Blue	Frosted Lens	LENS-30-FR
		GRN Green	Spread Lens	LENS-30-SPR
		RED Red	Beam Elongating Lens	LENS-30-BEL
		YEL Yellow	Honeycomb Louver	LENS-302-HCL
			Cross Louver	LENS-302-CRL
			Wall Washing Hood	HOOD-30-BK

WAC Lighting
www.waclighting.com
Phone (800) 526.2588 • Fax (800) 526.2585


Headquarters/Eastern Distribution Center
44 Harbor Park Drive • Port Washington, NY 11050
Phone (516) 515.5000 • Fax (516) 515.5050


Western Distribution Center
168 Brea Canyon Road • City of Industry, CA 91789
Phone (800) 526.2588 • Fax (800) 526.2585

LARC – model: 331

120V Track – PAR30 Line Voltage Luminaire

LAMP PERFORMANCE – 75W PAR30

 0° Aiming Angle
(ceiling to floor)

 45° Aiming Angle
(ceiling to wall)

Beam: 10°

Distance	FC	L	W
6 ft	420	0.9	0.9
9 ft	187	1.4	1.4
12 ft	105	1.9	1.9
15 ft	67	2.4	2.4

FC	L	W
149	1.9	1.3
66	2.9	2.0
37	3.8	2.7
24	4.8	3.3

Beam: 25°

6 ft	115	2.7	2.7
9 ft	51	4.0	4.0
12 ft	29	5.3	5.3
15 ft	18	6.7	6.7

41	5.6	3.8
18	8.4	5.6
10	11.2	7.5
7	14.0	9.4

Beam: 40°

6 ft	62	4.4	4.4
9 ft	27	6.6	6.6
12 ft	15	8.7	8.7
15 ft	10	10.9	10.9

22	10.1	6.2
10	15.1	9.3
5	20.1	12.4
3	25.2	15.4

CBCP– Center beam candlepower

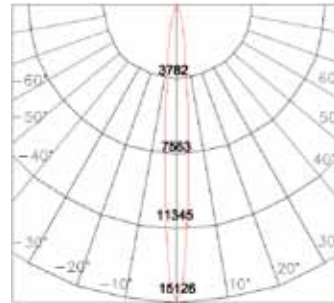
FC– Initial footcandle level at the center of the beam

L– Beam length at the point the candlepower drops off to 50% of maximum*

W– Beam width at the point the candlepower drops off to 50% of maximum*

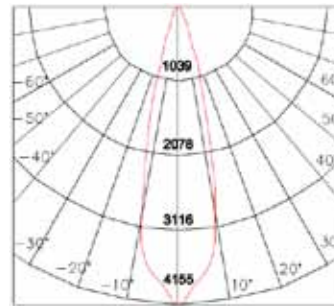
*Measured in feet

10° Beam Spread



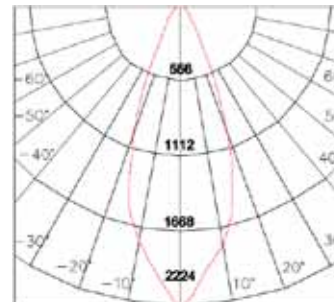
— 75W CBCP: 11,147

25° Beam Spread



— 75W CBCP: 4155

40° Beam Spread



— 75W CBCP: 2224