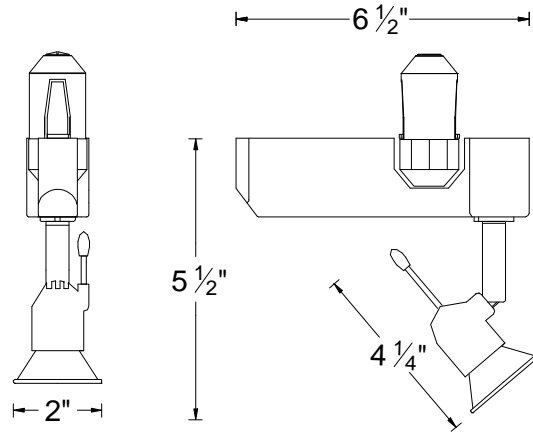


<b>CATALOG NUMBER</b>	<b>TYPE</b>
<b>PROJECT</b>	

**FLEXRAIL2 – LOW VOLTAGE TRACK HEAD**

**SERIES HM-816**



Ordering Matrix				
Series	Model		Finish	
<input type="text"/>	<input type="text"/>		<input type="text"/>	
HM	816 (50w max)	816L (75w max)	PT	BZ

Ordering Example (series number – model number – finish): HM-816L-PT

Product Details	Specification Features
<p><b>Description:</b> Flexrail2 compatible low voltage track head with an integral electronic transformer. Available in either a 50w or 75w version. Utilizes MR16G lamps.</p> <p><b>Materials:</b> Transformer case is molded G.E. Lexan, track assembly and head are die cast aluminum. Lamp socket is a ceramic bi-pin.</p> <p><b>Transformer:</b> Electronic low voltage with auto-reset, soft start and short circuit protection features. Dimmable with electronic low voltage dimmers.</p> <p><b>Aiming:</b> 350° horizontal rotation and 90° vertical aiming with integral ball and swivel aiming feature.</p> <p><b>Lamping:</b> 50w MR16G maximum with HM-816 model. 75w MR16G maximum with HM-816L model. MR16G glass covered lamp must be used with this fixture.</p> <p><b>Accessories:</b> Use Lens Clip (LENS-16-CLIP) to add one specialty textured lens, colored lens, filter, or louver.</p> <p><b>Finish:</b> Abrasion resistant platinum or bronze paint finish. PT = Platinum metal finish BZ = Designer Bronze metal finish</p> <p><b>Listing:</b> UL &amp; CUL Listed.</p>	<ul style="list-style-type: none"> <li>• Architectural die-cast aluminum track head with ball and swivel aiming wand.</li> <li>• Both transformer case and track head assembly are painted in a matching finish.</li> <li>• Electronic transformer soft start feature is designed to protect lamps from abrupt inrush current. The solid state circuitry promotes cool and quiet operation.</li> <li>• 5 year product warranty.</li> </ul>