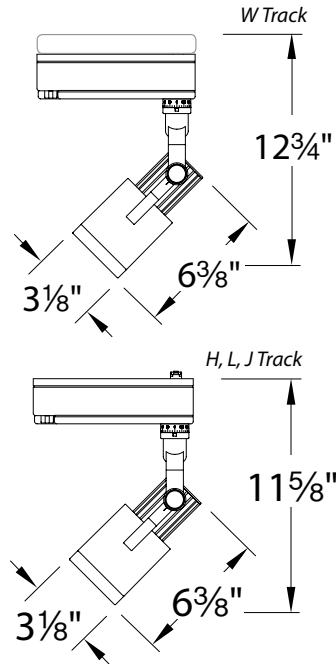


VAMP - model: HID220

W Track System Luminaires

WAC LIGHTING

Responsible Lighting®



Fixture Type:

Catalog Number:

Project: _____

Location: _____

PRODUCT DESCRIPTION

Energy efficient commercial grade spot luminaire, ideal for retail applications.

FEATURES

- Energy efficient high power factor electronic ballast.
- 350° horizontal rotation and 90° vertical aiming.
- Spring lock horizontal adjustment & push button vertical aiming w/ indexing scales
- Accepts up to 3 filter lenses and 1 accessory
- 5 year WAC Lighting product warranty.

SPECIFICATIONS

Construction: Die-cast aluminum fixture, cap ring and check ring. Clear 1/8 inch tempered glass lens included.

Finish: Available in Black powder coat (**BK**), White powder coat (**WT**), or Platinum anodized (**PT**) finishes

Lamp: HID CDM PAR20, 20W/39W (order separately).

Standards: UL & cUL listed

	120V	20W	39W
ANSI #		M156	M130
Line Current		0.20A	0.38A
Input Power		23W	45W
Input Voltage		120V	120V
Power Factor		>90%	>90%
Sound Rating		A	A

	277V	20W	39W
ANSI #		M156	M130
Line Current		0.093A	0.165A
Input Power		23W	45W
Input Voltage		277V	277V
Power Factor		>90%	>90%
Sound Rating		A	A

ORDER NUMBER

Track Type	System	Model#	Power	Finish	
H Track	HTK	120V	HID220	20E 20W 39E 39W	BK Black
L Track	LTK	120V			WT White
J/J2 Track	JTK	120V			
W Track	WTK	120V		BK Black	
	WHK	277V		PT Platinum	
				WT White	

- **HID220** - -

Example: **WHK-HID220-39E-PT**

LENSES AND ACCESSORIES

Color Lens	LENS-20	AMB Amber	UV Filter Lens	LENS-20-UVF
		BLU Blue	Frosted Lens	LENS-20-FR
		GRN Green	Spread Lens	LENS-20-SPR
		RED Red	Beam Elongating	LENS-20-BEL
		YEL Yellow	Cross Louver	LENS-20-CRL
		Honeycomb	LENS-20-HCL	
		Snoot	LENS-20-SNOOT	

FINISHES



WAC Lighting

www.waclighting.com
Phone (800) 526.2588 • Fax (800) 526.2585

Headquarters/Eastern Distribution Center

44 Harbor Park Drive • Port Washington, NY 11050
Phone (516) 515.5000 • Fax (516) 515.5050

Western Distribution Center

1750 Archibald Avenue • Ontario, CA 91760
Phone (800) 526.2588 • Fax (800) 526.2585