



# WAC LIGHTING

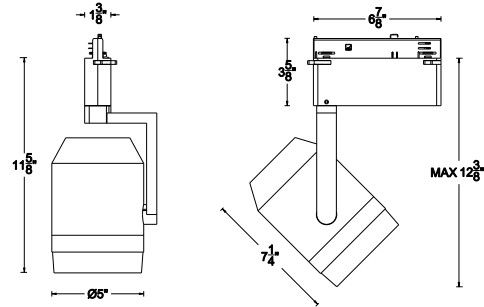
Responsible Lighting™

www.waclighting.com • P: (800) 526.2588 • F: (800) 526.2585

<b>CATALOG NUMBER</b>	<b>TYPE</b>
<b>PROJECT</b>	

## PALOMA SPOT - LED TRACK HEAD

## SERIES WTK-LED530



### Ordering Matrix

Model	Color Temperature	Beam Spread	Finish
<input type="text"/>	<input type="text"/>	<input type="text"/>	<input type="text"/>
WTK-LED530	W=3000K C=4000K	FL=40° NF=25° SP=15°	BK = Black WT = White PT = Platinum

Ordering Example (model – finish ): WTK-LED530W-FL-BK

### Product Details

**Description:** LED track head using BRIDGELUX LED 30W lamps. Model WTK-LED530 Designed for use on W2 tracks (120V) . Adaptable to other manufacturer's track. (Consult factory for specific brands).

**Materials:** Die-cast aluminum fixture, cap ring.

Clear 1/8 inch tempered glass lens included.

**Driver:** Input voltage:120V AC /60HZ,power factor >0.9  
Max Load: 30W

**Aiming:** 360° horizontal rotation and 180° vertical aiming with indexing scales. Spring lock to secure the aiming adjustment on horizontal .

**Lamping:** Using BRIDGELUX LED 30W lamp. CRI: ≥80 Lamp included.

**Performance:** Total Power Consumption: 28.8 W

	Color Temp	Beam	Lumens	Efficacy
WTK-LED530	W - 3000K	SP - 10°	901	31.3
		NF - 25°	909	31.6
		FL - 40°	941	32.7
	C - 4000K	SP - 10°	1041	35.6
		NF - 25°	1022	34.9
		FL - 40°	1041	35.6

**Finish:** Powder coat paint finish.  
Available in Black (BK), White (WT), Platinum (PT).

**Listing:** UL & CUL Listed. Patent Pending.

### Specification Features

- Provide 70% average lumen maintenance at 50,000 hrs.
- Die-cast aluminum fixture.
- Spring sheet within lens cap allows 4 captive accessories to be held securely.
- The track head utilizes the second circuit on the W2 style track .
- 5 year product warranty.

## Compatible Accessories –USE SIZE 30

• **Dichroic Lens**  
LENS-30-DIC-COLOR

• **Beam Elongator**  
LENS-30-BEL

• **Cross Louver**  
LENS-302-CRL

• **UV Filter**  
LENS-30-UV

• **Beam Soft Lens/Beam Spread Lens**  
LENS-30-BSL / LENS-30-SPR

• **Snoot**  
LENS-30-SNOOT

• **IR Filter**  
LENS-20-IR

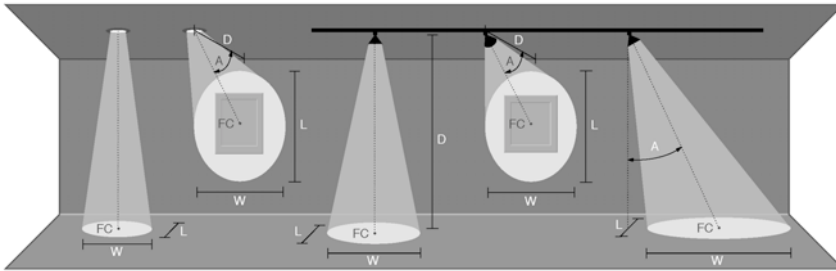
• **Block Screen**  
LENS-303-BS/ LENS-304-BS/ LENS-305-BS

• **Honeycomb Louver**  
LENS-30-HCL

• **UV- IR Filter**  
LENS-30-UI

• **Hood (for wall-washing)**  
HOOD-30-BK

## Photometry

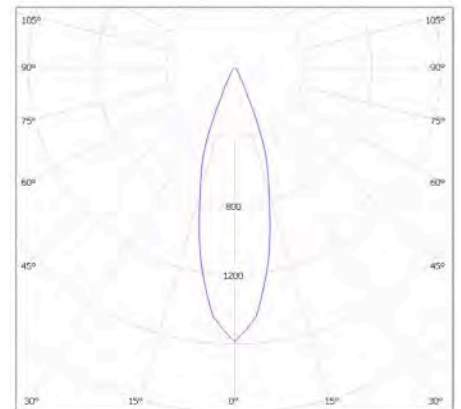
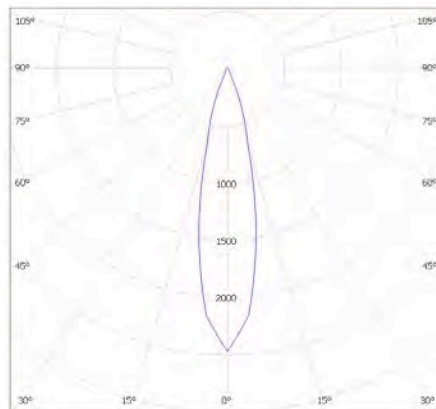
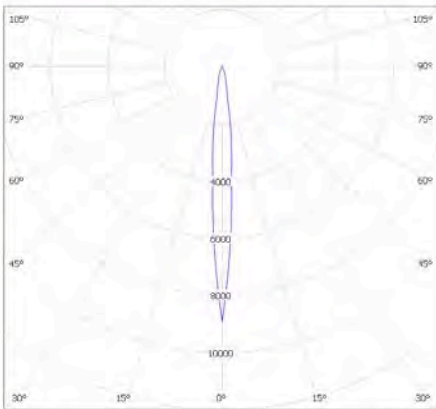


D Distance To Fixture From Wall Or Floor  
FC Initial Footcandle Level At Center Of Beam  
L Beam Length (where candlepower drops to 50% of maximum)  
W Beam Width (where candlepower drops to 50% of maximum)

WTK-LED530C 15 DEG			
0° Aiming Angle			
D(ft)	FC	L	W
6	503	0.9	0.9
9	224	1.4	1.4
12	126	1.8	1.8
15	80	2.3	2.3
45° Aiming Angle			
D(ft)	FC	L	W
6	178	1.8	1.3
9	79	2.8	1.9
12	44	3.7	2.6
15	28	4.6	3.2

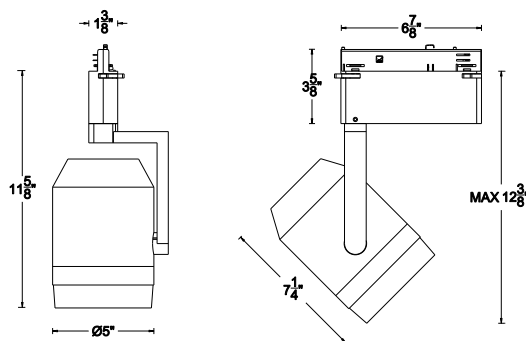
WTK-LED530C 25 DEG			
0° Aiming Angle			
D(ft)	FC	L	W
6	138	2.4	2.4
9	61	3.6	3.6
12	35	4.8	4.8
15	22	6.0	6.0
45° Aiming Angle			
D(ft)	FC	L	W
6	49	5.0	3.4
9	22	7.5	5.1
12	12	9.9	6.8
15	8	12.4	8.4

WTK-LED530C 40 DEG			
0° Aiming Angle			
D(ft)	FC	L	W
6	89	3.2	3.2
9	39	4.7	4.7
12	22	6.3	6.3
15	14	7.9	7.9
45° Aiming Angle			
D(ft)	FC	L	W
6	31	6.8	4.5
9	14	10.2	6.7
12	8	13.6	8.9
15	5	17.0	11.2



cd/klm — C0 - C180 — C90 - C270 — C0 - C180 — C90 - C270 — C0 - C180 — C90 - C270

<b>CATALOG NUMBER</b>	<b>TYPE</b>
<b>PROJECT</b>	

**PALOMA SPOT – LED TRACK HEAD**
**SERIES WTK-LED530X**

**Ordering Matrix**

Model	Color Temperature	Beam Spread	Finish
<input type="text"/>	<input type="text"/>	<input type="text"/>	<input type="text"/>
WTK-LED530	WX=3000K CX=4000K	F=40° N=25° S=15°	BK = Black WT = White PT = Platinum

Ordering Example (model – finish ): WTK-LED530WX-FL-PT

**Product Details**

**Description:** LED track head using XICATO LED 30W lamps. Model WTK-LED530 X Designed for use on W2 tracks 120V . Adaptable to other manufacturer's track. (Consult factory for specific brands).

**Materials:** Die-cast aluminum fixture, cap ring.  
Clear 1/8 inch tempered glass lens included.

**Driver:** Input voltage:120V AC / 60Hz, power factor >0.9  
Max Load: 30W

**Aiming:** 365° horizontal rotation and 180° vertical aiming with indexing scales. Spring lock to secure the aiming adjustment on horizontal .

**Lamping:** Using XICATO LED 30W lamp. CRI 95 Lamp included.

**Performance:** Total Power Consumption: 27.3 W

	Color Temp	Beam	Lumens	Efficacy
WTK-LED530	WX - 3000K	SP - 10°	613	22.5
		NF - 25°	610	22.3
		FL - 40°	628	23.0
	CX - 4000K	SP - 10°	774	27.6
		NF - 25°	764	27.3
		FL - 40°	769	27.5

**Finish:** Powder coat paint finish.  
Available in Black (BK), White (WT), Platinum (PT).

**Listing:** Patent Pending.

**Specification Features**

- Provide 70% average lumen maintenance at 50,000 hrs.
- Die-cast aluminum fixture.
- Spring sheet within lens cap allows 4 captive accessories to be held securely.
- The track head utilizes the second circuit on the W2 style track .
- 5 year product warranty.

## Compatible Accessories –USE SIZE 30

• **Dichroic Lens**  
LENS-30-DIC-COLOR

• **Beam Elongator**  
LENS-30-BEL

• **Cross Louver**  
LENS-302-CRL

• **UV Filter**  
LENS-30-UV

• **Beam Soft Lens/Beam Spread Lens**  
LENS-30-BSL / LENS-30-SPR

• **Snoot**  
LENS-30-SNOOT

• **IR Filter**  
LENS-30-IR

• **Block Screen**  
LENS-303-BS/ LENS-304-BS/ LENS-305-BS

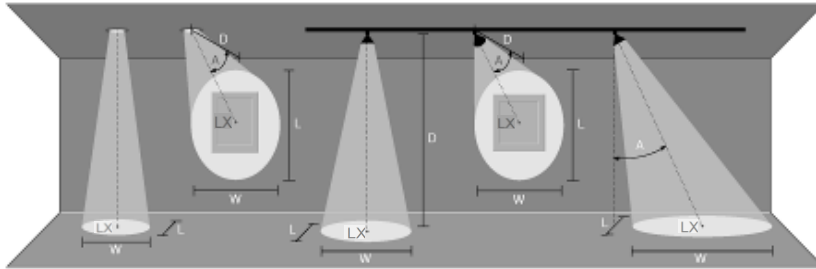
• **Honeycomb Louver**  
LENS-30-HCL

• **UV- IR Filter**  
LENS-30-UI

• **Hood (for wall-washing)**  
HOOD-30-BK

W2 Architectural Lighting reserves the right to modify the design of our products as part of our continuous improvement program.

## Photometry

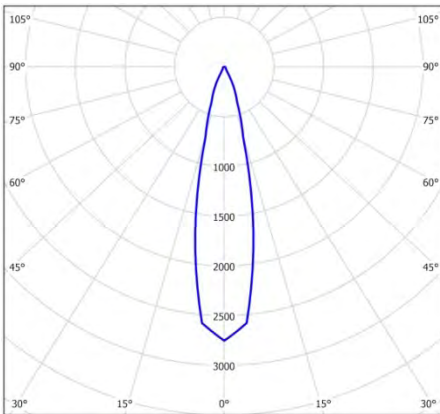


D Distance To Fixture From Wall Or Floor  
LX Initial lux Level At Center Of Beam  
L Beam Length (where candlepower drops to 50% of maximum)  
W Beam Width (where candlepower drops to 50% of maximum)

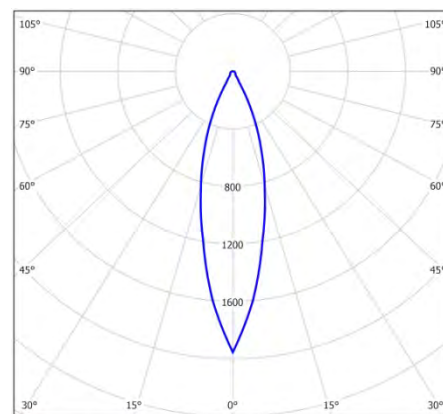
WTK -LED530WX 15 DEG			
0° Aiming Angle			
D(m)	LUX	L	W
1	2892	0.4	0.4
2	723	0.8	0.8
3	321	1.2	1.2
4	181	1.6	1.6
45° Aiming Angle			
D(m)	LUX	L	W
1	1022	0.8	0.6
2	256	1.6	1.1
3	114	2.5	1.7
4	64	3.3	2.2

WTK -LED530WX 25 DEG			
0° Aiming Angle			
D(m)	LUX	L	W
1	1960	0.5	0.5
2	490	1.0	1.0
3	218	1.4	1.4
4	123	1.9	1.9
45° Aiming Angle			
D(m)	LUX	L	W
1	693	1.0	0.7
2	173	2.0	1.4
3	77	3.1	2.0
4	43	4.1	2.7

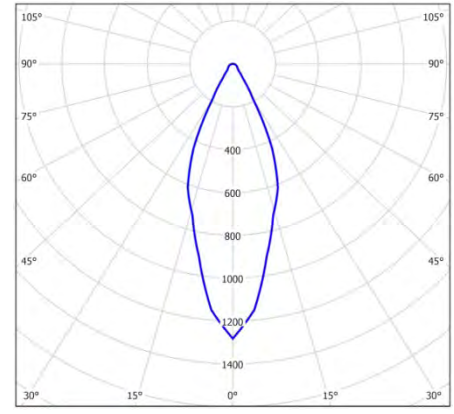
WTK -LED530WX 40 DEG			
0° Aiming Angle			
D(m)	LUX	L	W
1	1280	0.7	0.7
2	320	1.4	1.4
3	142	2.1	2.1
4	80	2.8	2.8
45° Aiming Angle			
D(m)	LUX	L	W
1	453	1.6	1.0
2	113	3.3	2.0
3	50	4.9	3.0
4	28	6.5	4.0



cd/klm  
— C0 - C180 — C90 - C270



cd/klm  
— C0 - C180 — C90 - C270



cd/klm  
— C0 - C180 — C90 - C270

WAC Lighting retains the right to modify the design of our products at any time as part of the company's continuous improvement program.