



WAC LIGHTING

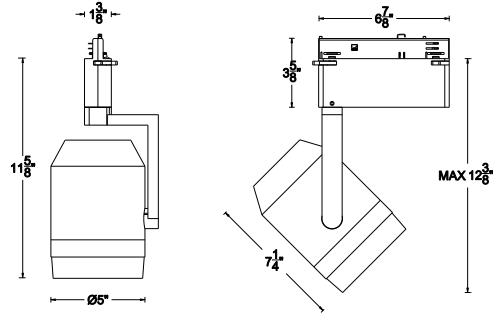
Responsible Lighting™

www.waclighting.com • P: (800) 526.2588 • F: (800) 526.2585

CATALOG NUMBER	TYPE
PROJECT	

PALOMA SPOT - LED TRACK HEAD

SERIES WTK-LED520



Ordering Matrix

Model	Color Temperature	Beam Spread	Finish
WTK-LED520	W=3000K C=4000K	FL=40° NF=25° SP=10°	BK = Black WT = White PT = Platinum

Ordering Example (model – finish): WTK-LED520WF-PT

Product Details

Description: LED track head using Philip LED 20W lamps. Model WTK-LED520 Designed for use on W2 tracks 120V . Adaptable to other manufacturer’s track. (Consult factory for specific brands).

Materials: Die-cast aluminum fixture, cap ring.

Clear 1/8 inch tempered glass lens included.

Driver: Input voltage:120V AC /60Hz,power factor >0.9
Max Load: 20W

Aiming: 365° horizontal rotation and 180° vertical aiming with indexing scales. Spring lock to secure the aiming adjustment on horizontal .

Lamping: Using PHILIP LED 20W lamp. CRI 80 Lamp included.

Performance: Total Power Consumption: 23.2 W

	Color Temp	Beam	Lumens	Efficacy
WTK-LED520	W - 3000K	SP - 10°	563	24.3
		NF - 25°	597	25.8
		FL - 40°	591	25.5
C - 4000K		SP - 10°	645	29.1
		NF - 25°	647	29.2
		FL - 40°	651	29.3

Finish: Powder coat paint finish.

Available in Black (BK), White (WT), Platinum (PT).

Listing: Patent Pending.

Specification Features

- Provide 70% average lumen maintenance at 50,000 hrs.
- Die-cast aluminum fixture.
- Spring sheet within lens cap allows 4 captive accessories to be held securely.
- The track head utilizes the second circuit on the W2 style track .
- 5 year product warranty.

Compatible Accessories –USE SIZE 30

• **Dichroic Lens**
LENS-30-DIC-COLOR

• **Beam Elongator**
LENS-30-BEL

• **Cross Louver**
LENS-302-CRL

• **UV Filter**
LENS-30-UV

• **Beam Soft Lens/Beam Spread Lens**
LENS-30-BSL / LENS-30-SPR

• **Snoot**
LENS-30-SNOOT

• **IR Filter**
LENS-30-IR

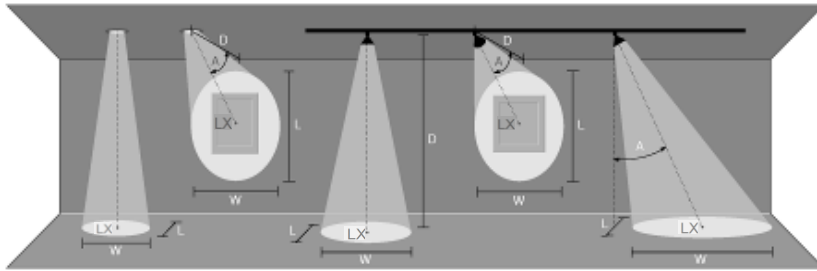
• **Block Screen**
LENS-303-BS/ LENS-304-BS/ LENS-305-BS

• **Honeycomb Louver**
LENS-30-HCL

• **UV- IR Filter**
LENS-30-UI

• **Hood (for wall-washing)**
HOOD-30-BK

Photometry



D Distance To Fixture From Wall Or Floor
LX Initial Lux Level At Center Of Beam
L Beam Length (where candlepower drops to 50% of maximum)
W Beam Width (where candlepower drops to 50% of maximum)

WTK LED520W 10 DEG			
0° Aiming Angle			
D(m)	LUX	L	W
6	6485	0.2	0.2
9	1621	0.4	0.4
12	721	0.6	0.6
15	405	0.8	0.8
45° Aiming Angle			
D(m)	LUX	L	W
6	2293	0.4	0.3
9	573	0.8	0.5
12	255	1.2	0.8
15	143	1.5	1.1

WTK LED520W 25 DEG			
0° Aiming Angle			
D(m)	LUX	L	W
6	2170	0.5	0.5
9	543	1.0	1.0
12	241	1.4	1.4
15	136	1.9	1.9
45° Aiming Angle			
D(m)	LUX	L	W
6	767	1.0	0.7
9	192	2.0	1.4
12	85	3.0	2.0
15	48	4.1	2.7

WTK LED520W 40 DEG			
0° Aiming Angle			
D(m)	LUX	L	W
6	1170	0.9	0.9
9	293	1.7	1.7
12	130	2.6	2.6
15	73	3.4	3.4
45° Aiming Angle			
D(m)	LUX	L	W
6	414	2.1	1.2
9	103	4.2	2.4
12	46	6.2	3.6
15	26	8.3	4.8

