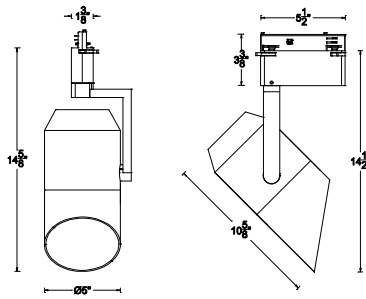
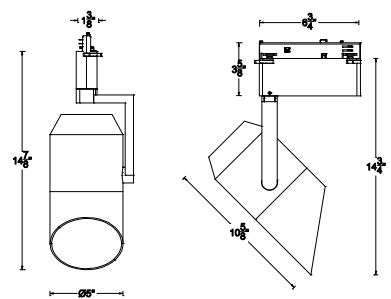


**PALOMA SPOT – METAL HALIDE TRACK HEAD**

**SERIES WTK-502-WW**



**WTK-502-WW-20E/39E**



**WTK-502-WW-70E**

**Ordering Matrix**

Model	Wattage	Finish
WTK-502-WW	20E = 20W 39E = 39W 70E = 70W	BK = Black WT = White PT = Platinum

Ordering Example (*model-beam-wattage-finish*): WTK-502-WW-70E-PT

**Product Details**

**Description:** Wall wash luminaire. Metal Halide track head using T4 HID lamps. Model WTK-502 –WW Designed for use on WAC ARCHITECTURAL tracks(120V) . Adaptable to other manufacturer’s track. (Consult factory for specific brands)

**Materials:** Die-cast aluminum fixture, cap ring.  
Wove 1/8 inch tempered glass lens included.

<b>Ballast:</b>		<u>20W</u>	<u>39W</u>	<u>70W</u>
<b>( VS )</b>	ANSI #	: M156	M130	M98 / 139
	Line Current	: 0.20A	0.38A	0.64A
	Input Power	: 23W	45W	77W
	Input Voltage	: 120V	120V	120V
	Power Factor	: > 90%	> 90%	> 90%
	Sound Rating	: A	A	A

**Socket:** Ceramic Bi-Pin HID G8.5

**Aiming:** 365° horizontal rotation and 180° vertical aiming to secure the aiming adjustment on horizontal.

**Lamping:** Re-lamps from the front using T4 HID lamps. 20W, 39W or70W as specified on the fixture. Lamp not included

**Finish:** Powder coat paint finish.  
Available in Black (BK), White (WT), Platinum (PT).

**Listing:** UL & CUL Listed. Patent Pending.

**Specification Features**

- Die-cast aluminum fixture.
- Spring sheet within lens cap allows 4 captive accessories to be held securely.
- The track head utilizes on the WAC ARCHITECTURAL style track (120V).
- 5 year product warranty.

## Compatible Accessories –USE SIZE 30

• **Dichroic Lens**  
LENS-30-DIC-COLOR

• **UV Filter**  
LENS-30-UV

• **IR Filter**  
LENS-30-IR

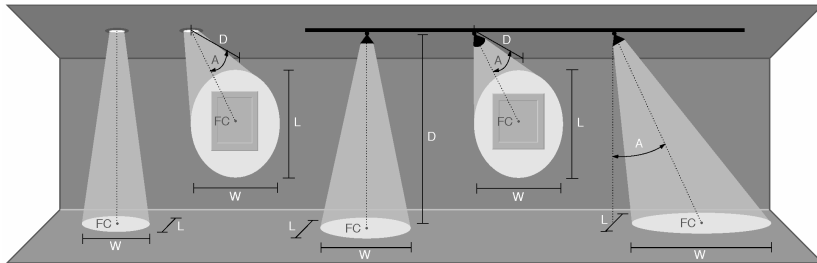
• **UV- IR Filter**  
LENS-30-UI

• **Beam Soft/Beam Spread Lens**  
LENS-30-BSL / LENS-30-SPR

• **Block Screen**  
LENS-303-BS/ LENS-304-BS/ LENS-305-BS

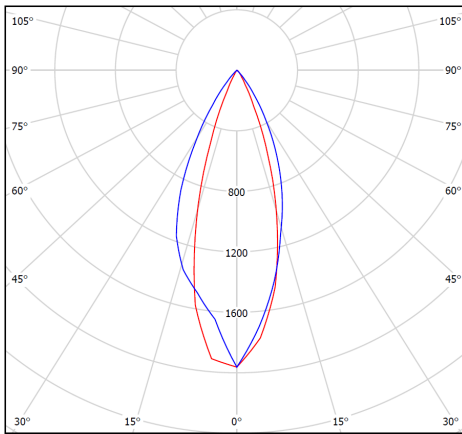
• **Beam Elongator**  
LENS-30-BEL

## Photometry



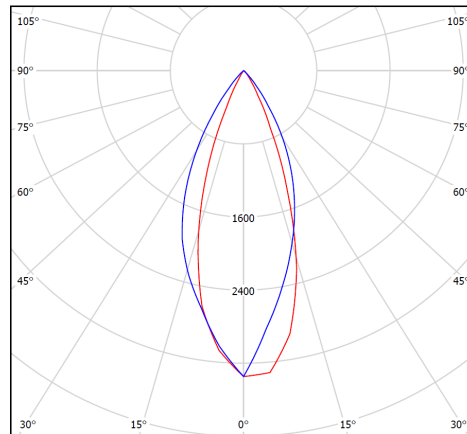
D Distance To Fixture From Wall Or Floor  
FC Initial Footcandle Level At Center Of Beam  
L Beam Length (where candlepower drops to 50% of maximum)  
W Beam Width (where candlepower drops to 50% of maximum)

HID T4 20W



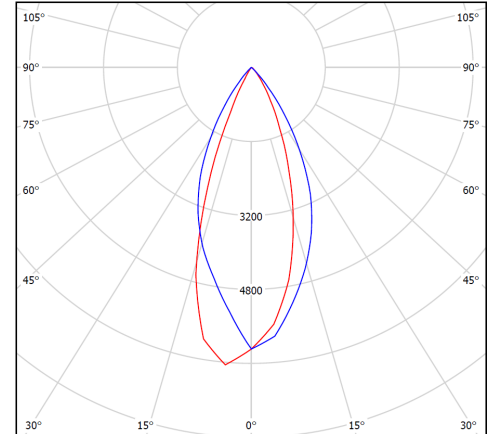
— C0 - C180 — C90 - C270

HID T4 39W



— C0 - C180 — C90 - C270

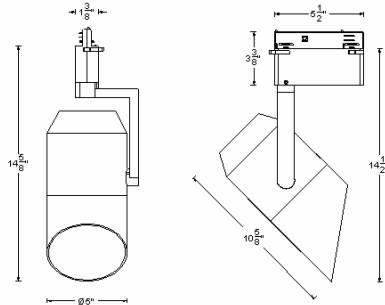
HID T4 70W



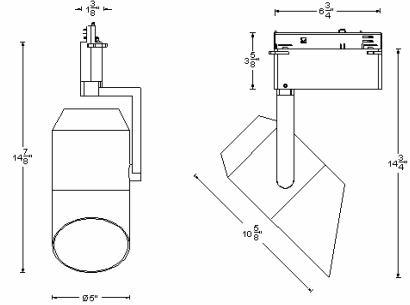
— C0 - C180 — C90 - C270

**PALOMA SPOT – METAL HALIDE TRACK HEAD**

**SERIES WHK-502-WW**



WHK-502-WW-20E/39E



WHK-502-WW-70E

**Ordering Matrix**

Model	Wattage	Finish
WHK-502-WW	20E = 20W 39E = 39W 70E = 70W	BK = Black WT = White PT = Platinum

Ordering Example (*model-beam-wattage-finish*): WHK-502-WW-70E-PT

**Product Details**

**Description:** Wall wash luminaire. Metal Halide track head using T4 HID lamps. Model WHK-502 –WW Designed for use on WAC ARCHITECTURAL tracks(277V) . Adaptable to other manufacturer’s track. (Consult factory for specific brands).

**Materials:** Die-cast aluminum fixture, cap ring.  
Wove 1/8 inch tempered glass lens included.

<b>Ballast:</b>		<u>20W</u>	<u>39W</u>	<u>70W</u>
<b>( VS )</b>	ANSI #	: M156	: M130	: M98 / 139
	Line Current	: 0.08A	: 0.16A	: 0.28A
	Input Power	: 23W	: 45W	: 77W
	Input Voltage	: 277V	: 277V	: 277V
	Power Factor	: > 90%	: > 90%	: > 90%
	Sound Rating	: A	: A	: A

**Socket:** Ceramic Bi-Pin HID G8.5

**Aiming:** 365° horizontal rotation and 180° vertical aiming to secure the aiming adjustment on horizontal .

**Lamping:** Re-lamps from the front using T4 HID lamps. 20W, 39W or70W as specified on the fixture. Lamp not included

**Finish:** Powder coat paint finish.  
Available in Black (BK), White (WT), Platinum (PT).

**Listing:** UL & CUL Listed. Patent Pending.

**Specification Features**

- Die-cast aluminum fixture.
- Spring sheet within lens cap allows 4 captive accessories to be held securely.
- The track head utilizes on the WAC ARCHITECTURAL style track (277V).
- 5 year product warranty.

## Compatible Accessories –USE SIZE 30

• **Dichroic Lens**  
LENS-30-DIC-COLOR

• **UV Filter**  
LENS-30-UV

• **IR Filter**  
LENS-30-IR

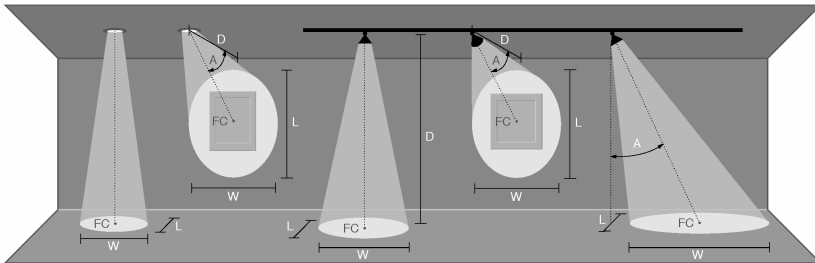
• **UV- IR Filter**  
LENS-30-UI

• **Beam Soft/Beam Spread Lens**  
LENS-30-BSL / LENS-30-SPR

• **Block Screen**  
LENS-303-BS/ LENS-304-BS/ LENS-305-BS

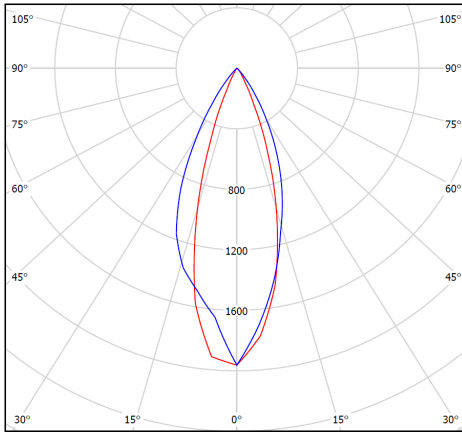
• **Beam Elongator**  
LENS-30-BEL

## Photometry



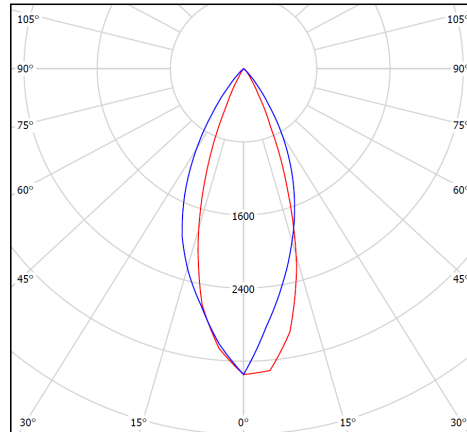
D Distance To Fixture From Wall Or Floor  
FC Initial Footcandle Level At Center Of Beam  
L Beam Length (where candlepower drops to 50% of maximum)  
W Beam Width (where candlepower drops to 50% of maximum)

T4 HID 20W



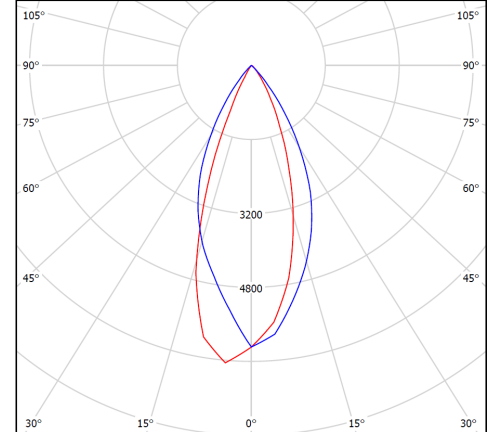
— C0 - C180 — C90 - C270

T4 HID 39W



— C0 - C180 — C90 - C270

T4 HID 70W



— C0 - C180 — C90 - C270