

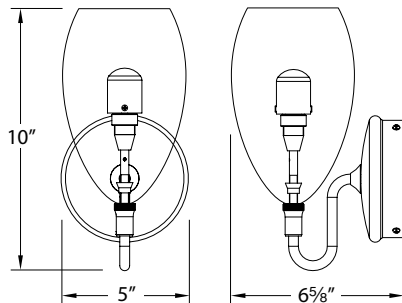
MOONSTONE- model: WS61-G631

European Collection

Low Voltage Wall Sconce



WAC LIGHTING
Responsible Lighting™



Fixture Type:

Catalog Number:

Project: _____

Location: _____

PRODUCT DESCRIPTION

Like the striking lunar landscape, amber and silver foil patchwork highlight this mouth-blown textured opaline glass on the stunning Moonstone sconce. Handcrafted by fine glassmakers in Italy.

FEATURES

- Order number includes sconce bracket, shade and lamp
- Integral electronic transformer
- Advanced auto-reset, soft start and short circuit protection features
- Frosted bulb shield provides soft, even light distribution and protects lamp from dust and fingerprints
- Center mounted, vertical lamp configuration allows for even illumination of the whole shade
- 5 year WAC Lighting product warranty

SPECIFICATIONS

Construction: Opaline glass with silver foil patches, ceramic bi-pin socket w/frosted glass shield, machined aluminum sconce arm and steel back plate.

Transformer: Electronic, 120VAC 50/60Hz input, 12V/50W max output. Soft start feature extends lamp life by delaying the abrupt inrush current.

Light Source: 12V/50W max, halogen JC-50 included.

Dimming: May be dimmed with electronic low voltage (ELV) dimmer.

Mounting: Surfaced mounted to standard 4" junction box. Screw on bulb shield holds glass firmly in place.

Sconce Finish: Available in electroplated Brushed Nickel (BN) and Chrome (CH) finishes.

Standards: UL & CUL Listed.

ORDER NUMBER

Model #	Shade Color	Finish
WS61-G631	OP	BN CH

SHADE COLOR

OP-Opaline



Model # - Color / Finish

Example: WS61-G631-OP/BN

FINISHES

BN-Brushed Nickel



CH-Chrome



WAC Lighting
www.waclighting.com
Phone (800) 526.2588 • Fax (800) 526.2585

Headquarters/Eastern Distribution Center
615 South Street • Garden City, NY 11530
Phone (516) 515.5000 • Fax (516) 515.5050

Western Distribution Center
168 Brea Canyon Road • City of Industry, CA 91789
Phone (800) 526.2588 • Fax (800) 526.2585