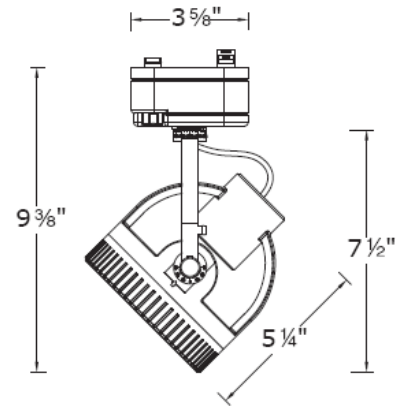
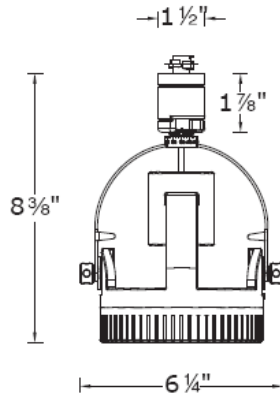


PRECISION SPOT TRACK HEAD

747



Ordering Matrix

Model	Finish	Optional Accessories
[]	[]	[]
HTK-747 JTK-747 LTK-747	BK WT	See accessories table

Ordering Example (model – finish + optional accessories) : JTK-747-BK + LENS-30-HCL

Product Details

Description:	Line voltage track heads using PAR30 lamps. Designed for use with WAC H/L/J & J2 series track. Track head style compliments the Precision Modules series of recessed multiple spots by WAC Lighting.
Materials:	Die-cast aluminum fixture with die-cast ribbed lens cap. Two heavy gauge aiming screws painted to match fixture finish.
Socket:	Medium base 250V porcelain socket with nickel-plated copper screw shell.
Aiming:	350° horizontal rotation and 90° vertical aiming with built-in aiming scale on fixture. Two aiming screws (one on each side of fixture) allow for locking fixture aiming angle.
Lamping:	Uses medium base PAR30 lamps, 75W max.
Finish:	Abrasion resistant paint finish. Available in standard Black (BK), White (WT) and Platinum (PT) color. Consult factory for additional color options.
Listing:	UL & CUL Listed.

Specification Features

- Specification grade die-cast aluminum fixture with integral aiming indicators to assure precise directional adjustment.
- Threaded lens cap has three evenly spaced integral tension clips. Additional lens accessory support is provided by a separate check ring placed within the lens cap.
- The 747 series track head utilizes the second circuit on the J2 style track with the use of the JClip.
- Accommodates one lens and one accessory.
- 5 year WAC Lighting product warranty.

Track Adaptor Information

Standard Adaptor
For H/L/J style
WAC tracks



J2 Adaptor
For J2 style
WAC track



JCLIP
Ordered when using track
heads on 2nd circuit of J2



Compatible Accessories

LENS-30-DIC-COLOR
Dichroic Lenses



LENS-30-COLOR
Color Lenses

AMB = Amber ; BLU = Blue ; GRN = Green
RED = Red ; YEL = Yellow

LENS-30-HCL
Honeycomb Louver



LENS-30-CRL
Cross Louver

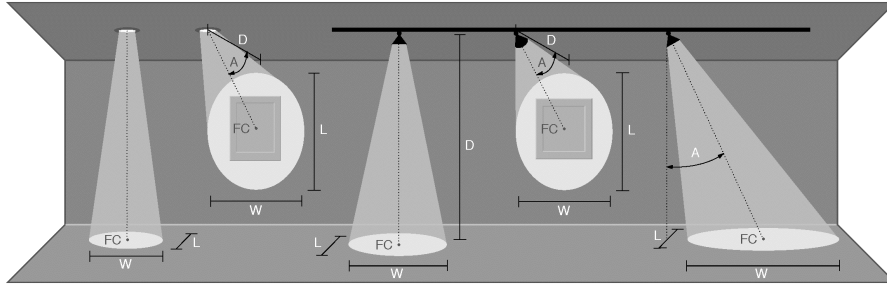


HOOD-095-BK
Light Deflecting Hood
for wall wash application



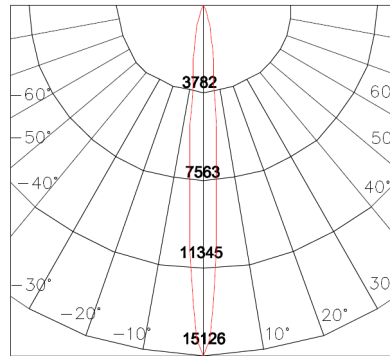
LENS-30-UVF
UV Filter
LENS-30-FR
Frosted Lens
LENS-30-SPR
Spread Lens
LENS30-BEL
Beam Elongating Lens

Photometry

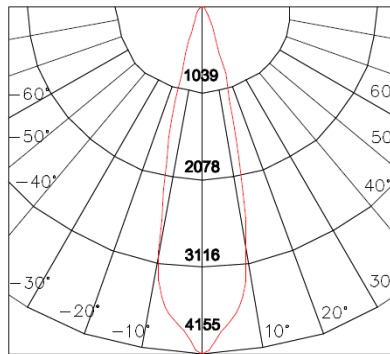


D Distance To Fixture From Wall Or Floor
FC Initial Footcandle Level At Center Of Beam
L Beam Length (where candlepower drops to 50% of maximum)
W Beam Width (where candlepower drops to 50% of maximum)

75W PAR30 NSP (10 DEG)				
0° Aiming Angle				
D(ft)	FC	W	L	
6	420	0.9	0.9	
9	187	1.4	1.4	
12	105	1.9	1.9	
15	67	2.4	2.4	
45° Aiming Angle				
D(ft)	FC	W	L	
6	149	1.9	1.3	
9	66	2.9	2.0	
12	37	3.8	2.7	
15	24	4.8	3.3	



75W PAR30 NFL (25 DEG)				
0° Aiming Angle				
D(ft)	FC	W	L	
6	115	2.7	2.7	
9	51	4.0	4.0	
12	29	5.3	5.3	
15	18	6.7	6.7	
45° Aiming Angle				
D(ft)	FC	W	L	
6	41	5.6	3.8	
9	18	8.4	5.6	
12	10	11.2	7.5	
15	7	14.0	9.4	



75W PAR30 FL (40 DEG)				
0° Aiming Angle				
D(ft)	FC	W	L	
6	62	4.4	4.4	
9	27	6.6	6.6	
12	15	8.7	8.7	
15	10	10.9	10.9	
45° Aiming Angle				
D(ft)	FC	W	L	
6	22	10.1	6.2	
9	10	15.1	9.3	
12	5	20.1	12.4	
15	3	25.2	15.4	

