

3.5" OCULUX - Open Reflector

R3BRD, R3BSD

WAC LIGHTING

Responsible Lighting®



Fixture Type:

Catalog Number:

Project: _____

Location: _____

PRODUCT DESCRIPTION

Designed to fit in tight plenum space

FEATURES

- Energy Star® Rated
- Title 24 Compliant
- IC-rated Remodel and New Construction
- Airtight in New Construction and remodel
- Shallow housing under 4" depth
- Cutout 4 1/4"
- Single spot light source

SPECIFICATIONS

Construction: Die-cast aluminum trim and heat sink; polycarbonate trim for Dead Front

Dimming: ELV, TRIAC or 0-10V dimming compatible

Input: 120V for R3BNICA-10, R3BBRT-10; 120-277V for R3BNICA-10U

Power: 11W

Mounting: Retention clips firmly hold trim to housing.

Finish: Powder coated white, haze-white, and Brushed nickel.

Ceiling thickness: 1/2" - 1"

Standards: EL & cEL, Wet location listed.

Trims (Order Housing Separately)	Model	Beam	Max Lumens	Max CBCP	Color Temp	Finish
	R3BRD Round Open Reflector Wet Location Listed 40° visual cutoff	S 19° N 25° F 50°	970	5132	927 2700K 930 3000K	HZWT Haze/White BN Brushed Nickel WT White
	R3BRDP Polycarbonate Trim Face* Open Reflector Wet-Location Listed 40° visual cutoff	S 15° N 25° F 50°	1025	2985	927 2700K 930 3000K	WT White
*Conforms to local code Dead Front requirements						
	R3BSD Square Open Reflector Wet Location Listed 35° visual cutoff	S 19° N 27° F 50°	930	4710	927 2700k 930 3000k	HZWT Haze/White BN Brushed Nickel WT White

R3BRD- _____ - _____ - _____

Example: **R3BRD-S930-BN**

waclighting.com
 Phone (800) 526.2588
 Fax (800) 526.2585

Headquarters/Eastern Distribution Center
 44 Harbor Park Drive
 Port Washington, NY 11050

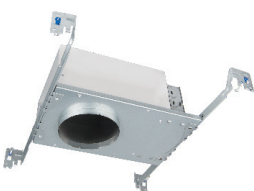
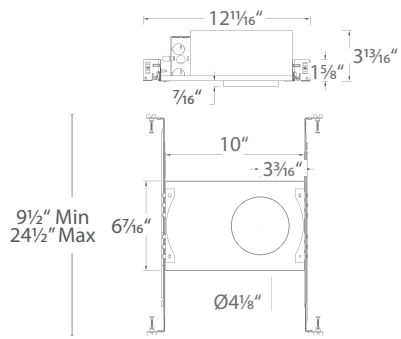

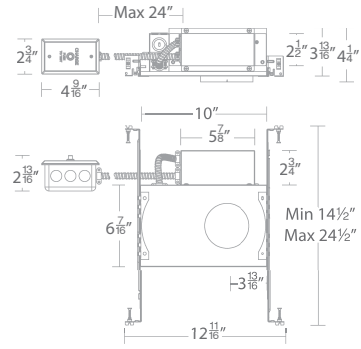

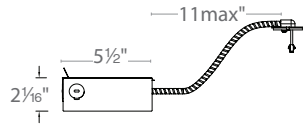
Central Distribution Center
 1600 Distribution Ct
 Lithia Springs, GA 30122

Western Distribution Center
 1750 Archibald Avenue
 Ontario, CA 91760

3.5" OCULUX - Open Reflector

New Construction and Remodel Housings

Housings (Required) - Order separately from trims

	Model	Input	Dimming	Notes
<p><i>New Construction</i></p>  	R3BNICA-10 IC-Rated, Airtight	120V	100% - 5% TRIAC, ELV, 0-10V	Less than 4" plenum depth Allows adjustment in any direction when used with adjustable trims
	R3BNICA-10U IC-Rated, Airtight	120V - 277V	120V 100% - 5% TRIAC, ELV, 0-10V 277V 100% - 1% 0-10V	Ceiling thickness: 1/2" - 1"
<p><i>New Construction (EM)</i></p>  	R3BNICA-10U-EM IC-Rated, Airtight	120V - 277V	120V 100% - 5% TRIAC, ELV, 0-10V 277V 100% - 1% 0-10V	Less than 4" plenum depth Allows adjustment in any direction when used with adjustable trims Ceiling thickness: 1/2" - 1" Integral Emergency battery pack with 24" lead wire remote test switch. Provides at least 90 minutes of 435lm illumination during emergency operation. Emergency battery and driver are field replaceable.
<p><i>Remodel</i></p>  	R3BBRT-10 IC Rated	120V	100% - 5% TRIAC, ELV, 0-10V	Allows adjustment in any direction when used with adjustable trims Ceiling thickness: 1/2" - 1"

R3B _____ **-10** _____
Example: **R3BNICA-10**

wacighting.com
Phone (800) 526.2588
Fax (800) 526.2585

Headquarters/Eastern Distribution Center
44 Harbor Park Drive
Port Washington, NY 11050

Central Distribution Center
1600 Distribution Ct
Lithia Springs, GA 30122

Western Distribution Center
1750 Archibald Avenue
Ontario, CA 91760