

SLOPED CEILING - model: QMP-S60ERN

WAC LIGHTING

Quick Connect™ Canopies

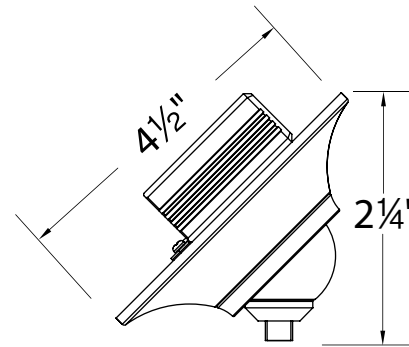
Responsible Lighting®

Fixture Type:

Catalog Number:

Project:

Location:



PRODUCT DESCRIPTION

The sloped ceiling canopy swivels up to 45° in either direction and will accept all WAC Lighting Quick Connect™ pendants and fixtures, allowing them to hang straight down from a sloped ceiling.

FEATURES

- 1W minimum load required
- 60W Integral electronic transformer
- Smooth and continuous ELV dimming
- For use with a 4" junction box, includes optional collar for shallow junction box
- No visible hardware
- Replaces QMP-M1RN and QMP-LED10

SPECIFICATIONS

- **Input:** AC 120V
- **Output:** AC 12V 60W max
- **Load:** 1W minimum load required
- **Mounting:** Installs to a standard 4" junction box
- **Standards:** UL & CUL listed

ORDER NUMBER

Model #	Finish
QMP-S60ERN	BN <i>Brushed Nickel</i>
	CH <i>Chrome</i>
	DB <i>Dark Bronze</i>

QMP-S60ERN –

Example: **QMP-S60ERN-CH**

WAC Lighting
www.waclighting.com
Phone (800) 526.2588 • Fax (800) 526.2585

Headquarters/Eastern Distribution Center
44 Harbor Park Drive • Port Washington, NY 11050
Phone (516) 515.5000 • Fax (516) 515.5050

Western Distribution Center
1750 Archibald Avenue • Ontario, CA 91760
Phone (800) 526.2588 • Fax (800) 526.2585