

OCULUX ARCHITECTURAL 3.5" LED RECESSED

New Construction and Remodel Housing

WAC LIGHTING

Responsible Lighting®

SPECIFICATIONS

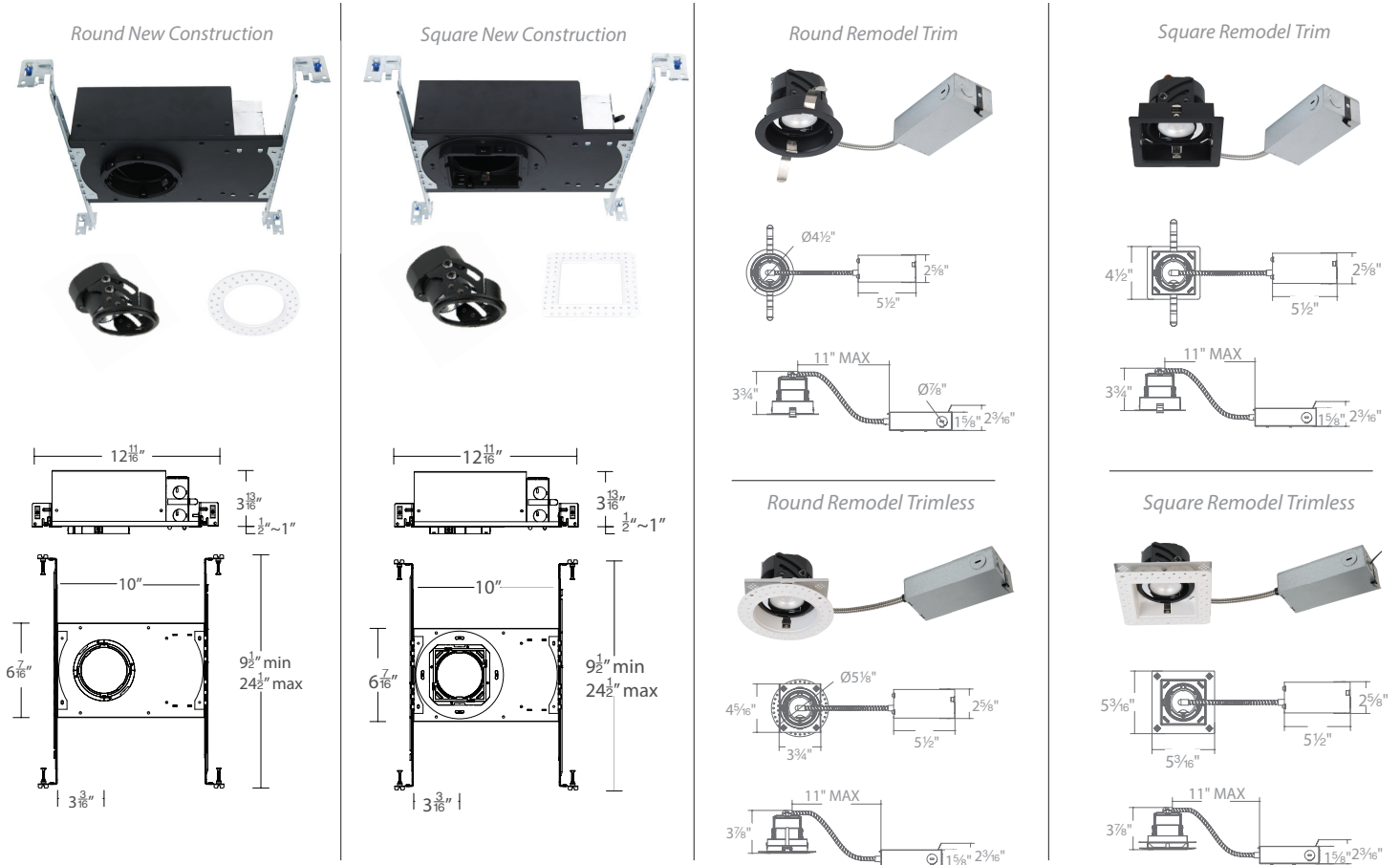
Construction:	20 Gauge cold rolled steel
Dimming:	100% - 5% 0-10V
Input:	100% - 1% ELV, TRIAC
Cut out:	120 - 277V AC
Ceiling Thickness:	New Construction: 4¼", Remodel: 3⅞"
Mounting:	½" - 1"
Standards:	Retention clips firmly hold light engine to housing
Warranty:	UL&cUL 5 year WAC Lighting product warranty

Fixture Type:

Catalog Number:

Project:

Location:



HOUSINGS

	Model		Rating	Power	CRI (90) CCT	Color Temp
Round	R3CRN Round New Construction		IC Airtight	11 W	927	2700K
	R3CRR Round Remodel Trim		Non IC		930	3000K
	R3CRRL Round Remodel Trimless		Non IC		935	3500K
					940	4000K
Square	R3CSN Square New Construction		IC Airtight	11 W	927	2700K
	R3CSR Square Remodel Trim		Non IC		930	3000K
	R3CSRL Square Remodel Trimless		Non IC		935	3500K
					940	4000K

R3C _____ **-11-** _____
Example: R3CRN-11-927

wacighting.com
Phone (800) 526.2588
Fax (800) 526.2585

Headquarters/Eastern Distribution Center
44 Harbor Park Drive
Port Washington, NY 11050

Central Distribution Center
1600 Distribution Ct
Lithia Springs, GA 30122

Western Distribution Center
1750 Archibald Avenue
Ontario, CA 91760