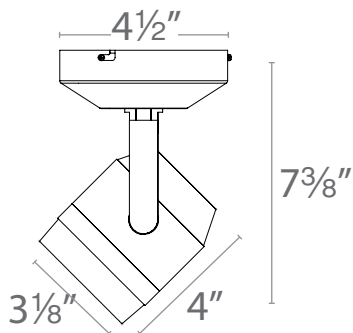


# PALOMA - model: MO-LED522

## Monopoint Luminaire

# WAC LIGHTING

Responsible Lighting®



Fixture Type:

Catalog Number:

Project: \_\_\_\_\_

Location: \_\_\_\_\_

### PRODUCT DESCRIPTION

Museum-quality LED luminaire with high performance optics

### FEATURES

- Accommodates 1 filter lens or 1 accessory
- 365° horizontal rotation and 180° vertical aiming
- Ceiling and wall mountable
- 50,000 hour rated life
- 5 year WAC Lighting product warranty

### SPECIFICATIONS

**Construction:** Die-cast aluminum with cap ring.  
Clear glass lens included.

**Aiming:** 365° horizontal rotation and 180° vertical aiming.  
Spring lock to secure the aiming adjustment

**Input:** 120V-277V AC 50/60HZ

**Dimming:** Electronic low voltage (ELV) dimmer 100%-5% (120V only)

**Finish:** Powder coated

**Standards:** UL & cUL Damp Location Listed.

### ORDER NUMBER

Model	Beam	Color Temp	CRI	Lumens	CBCP	Finish
MO-LED522 22W	S 19°	827 2700K 85 1590 7622	BK Black WT White			
		927 2700K 90 1325 6352				
		830 3000K 85 1655 7940				
		930 3000K 90 1375 6590				
		835 3500K 85 1705 8180				
	840 4000K 85 1720 8257					
	N 24°	827 2700K 85 1650 5928	BK Black WT White			
		927 2700K 90 1300 4940				
		830 3000K 85 1675 6177				
		930 3000K 90 1350 5125				
		835 3500K 85 1675 6362				
	840 4000K 85 1690 6422					
	F 36°	827 2700K 85 1630 4048	BK Black WT White			
		927 2700K 90 1355 3374				
		830 3000K 85 1695 4218				
930 3000K 90 1695 3500						
835 3500K 85 1745 4345						
840 4000K 85 1765 4385						

MO-LED522 - -

Example: MO-LED522S-927-WT

Accommodates one lens accessory or one glare control accessory

### LENS ACCESSORIES

Amber	LENS-20-AMB
Blue	LENS-20-BLU
Green	LENS-20-GRN
Red	LENS-20-RED
Yellow	LENS-20-YEL
Frosted	LENS-20-FR
Spread	LENS-20-SPR
Beam Elongating	LENS-20-BEL

### GLARE CONTROL ACCESSORIES

Honeycomb Louver	LENS-20-HCL
------------------	-------------

### EXTENSIONS Sold as a complete unit. Ceiling mount only.

X6 6"	MOLED522	S N F	827	BK WT
X12 12"			927	
X18 18"			830	
X24 24"			930	
X36 36"			835	
X48 48"			840	

Example: X12-MOLED522N930WT

### WAC Lighting

www.waclighting.com  
Phone (800) 526.2588 • Fax (800) 526.2585

### Headquarters/Eastern Distribution Center

44 Harbor Park Drive • Port Washington, NY 11050  
Phone (516) 515.5000 • Fax (516) 515.5050

### Western Distribution Center

1750 Archibald Avenue • Ontario, CA 91760  
Phone (800) 526.2588 • Fax (800) 526.2585