

# Model: LM2-PCS

Duorail™ Cable Suspension Power Feed

# WAC LIGHTING

Responsible Lighting®

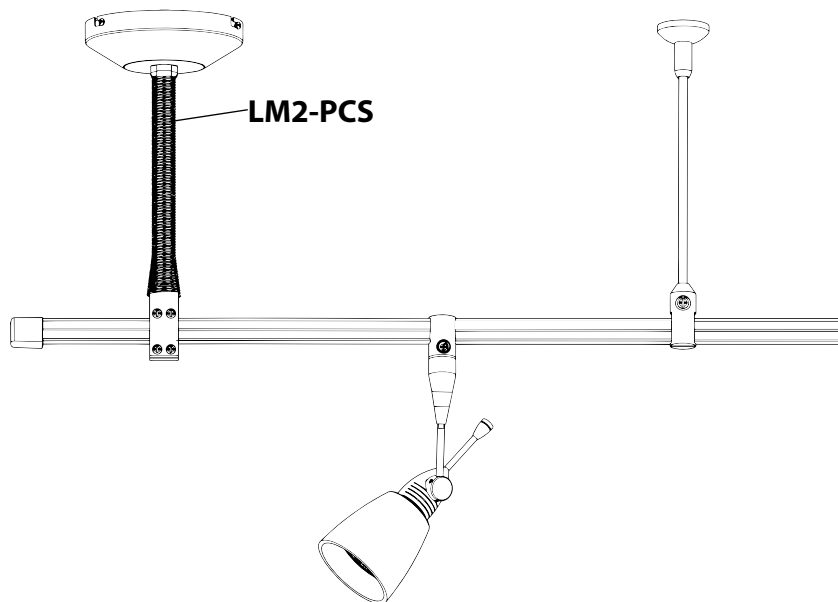


Fixture Type:

Catalog Number:

Project: \_\_\_\_\_

Location: \_\_\_\_\_



## PRODUCT DESCRIPTION

Flexible feed that provides power to the Duorail™ system from a remote transformer. Can be used in flat or sloped ceiling applications. The LM2-PCS length can be field shortened.

## FEATURES

- 4½" canopy
- Use on sloped ceilings with remote transformers
- Use at any angle, easily shortened
- 5 year WAC Lighting product warranty

## SPECIFICATIONS

**Power:** Used for either 12V or 24V Duorail™ systems.

**Mounting:** Designed to cover a standard junction box. 2X25A max.

**Finishes:** Available in Dark Bronze (DB) and Brushed Nickel (BN).

**Standards:** UL & CUL listed

## ORDER NUMBER

Model	Length	Finish
LM2-PCS	48 48"	BN <i>Brushed Nickel</i>
	96 96"	DB <i>Dark Bronze</i>

**LM2-PCS**  -

Example: **LM2-PCS48-BN**

WAC Lighting  
www.waclighting.com  
Phone (800) 526.2588 • Fax (800) 526.2585

Headquarters/Eastern Distribution Center  
44 Harbor Park Drive • Port Washington, NY 11050  
Phone (516) 515.5000 • Fax (516) 515.5050

Western Distribution Center  
1750 Archibald Avenue • Ontario, CA 91760  
Phone (800) 526.2588 • Fax (800) 526.2585