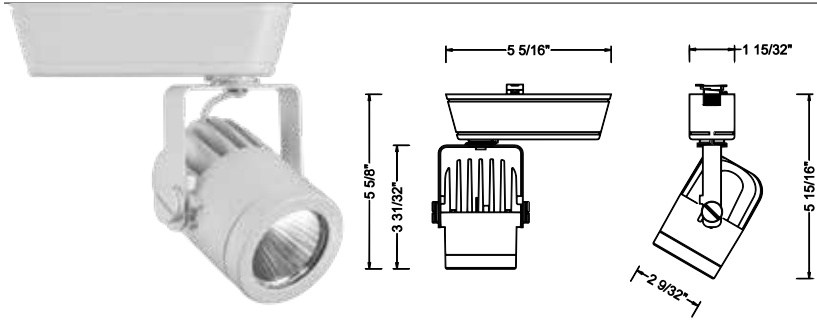


# PRECISION - Model: LED160

## LEDme® Track Luminaire

# WAC LIGHTING

Responsible Lighting®



Fixture Type:

Catalog Number:

Project:

Location:

### PRODUCT DESCRIPTION

LED160 track spot offers superior light output in a small, unobtrusive design. The high output LEDs outperform a 20W metal halide fixture at the size of a typical MR16 luminaire. Developed for upscale residential and commercial environments.

### FEATURES

- Free of projected heat and UV and IR radiation
- Alternate beam angles may be ordered separately
- Replaceable LED modules
- Accommodates 1 lens or honeycomb
- 360° horizontal and -90°~+90° vertical aiming
- Lockable vertical aiming for precise adjustments
- 60,000 hour rated life
- 5 year WAC Lighting product warranty

### SPECIFICATIONS

**Construction:** Die-cast aluminum with removable lens cap for easy change of lenses or accessories

**Finish:** Black (BK) and White (WT) powder coat paint.

**Driver:** Input voltage: 120V AC 50/60Hz.

**Light Source:** High-Output LED.

**Dimming:** Dimmable to 10% with electronic low voltage (ELV) dimmer and triac dimmer.

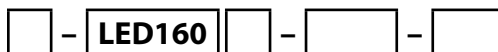
**Standards:** ETL & cETL Listed.

### FIXTURE PERFORMANCE

Model #	Beam	Voltage	Color Temp	Power	Lumens	Efficacy	CRI
<b>LED160S-27</b>	20°	120V	2700K	14W	1210	87 Lm/W	85
<b>LED160F-27</b>	40°				1200	86 Lm/W	
<b>LED160S-927</b>	20°	120V	2700K	14W	1010	72 Lm/W	90
<b>LED160F-927</b>	40°				1000	72 Lm/W	
<b>LED160S-30</b>	20°	120V	3000K	14W	1260	90 Lm/W	85
<b>LED160F-30</b>	40°				1250	89 Lm/W	
<b>LED160S-930</b>	20°	120V	3000K	14W	1050	75 Lm/W	90
<b>LED160F-930</b>	40°				1035	74 Lm/W	
<b>LED160S-35</b>	20°	120V	3500K	14W	1300	93 Lm/W	85
<b>LED160F-35</b>	40°				1285	92 Lm/W	
<b>LED160S-40</b>	20°	120V	4000K	14W	1310	94 Lm/W	85
<b>LED160F-40</b>	40°				1300	93 Lm/W	

### ORDER NUMBER

Track System	Model	Watt	Beam	Color Temp	CRI	Finish
<b>H</b> H Track <b>L</b> L Track <b>J</b> J/J2 Track	<b>LED160</b>	15W	<b>S</b> 20°	<b>27</b> 2700K	85	<b>BK</b> Black <b>WT</b> White
				<b>927</b> 2700K	90	
			<b>F</b> 40°	<b>30</b> 3000K	85	
				<b>930</b> 3000K	90	
			<b>35</b> 3500K	85		
			<b>40</b> 4000K	85		



Example: J-LED160S-27-WT

### FINISHES



### REPLACEMENT MODULE

<b>BXRC-27E1000-D-73</b>	2700K	85 CRI
<b>BXRC-27G1000-D-73</b>	2700K	90 CRI
<b>BXRC-30E1000-D-73</b>	3000K	85 CRI
<b>BXRC-30G1000-D-73</b>	3000K	90 CRI
<b>BXRC-35E1000-D-73</b>	3500K	85 CRI
<b>BXRC-10E1000-D-73</b>	4000K	85 CRI

### INTERCHANGABLE OPTICS

<b>RF-S</b>	20°
<b>RF-F</b>	40°

### LENSES & ACCESSORIES

Model	Color	Model	Finish
<b>LENS-16</b> Color Lens	<b>AMB</b> Amber	<b>FR</b> Frosted Lens <b>SPR</b> Spread Lens <b>BEL</b> Beam Elongating Lens <b>HCL</b> Honey Comb Louver	
	<b>BLU</b> Blue		
	<b>GRN</b> Green		
	<b>RED</b> Red		
	<b>YEL</b> Yellow		

### WAC Lighting

www.waclighting.com

Phone (800) 526.2588 • Fax (800) 526.2585

### Headquarters/Eastern Distribution Center

44 Harbor Park Drive • Port Washington, NY 11050

Phone (516) 515.5000 • Fax (516) 515.5050

### Western Distribution Center

1750 Archibald Avenue • Ontario, CA 91760

Phone (800) 526.2588 • Fax (800) 526.2585