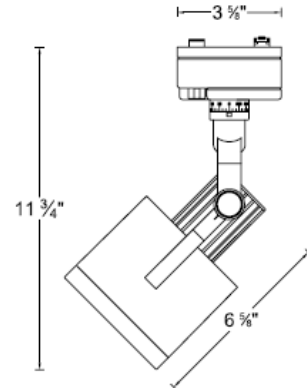
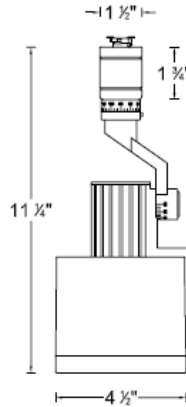


VAMP SPOT – LINE VOLTAGE TRACK HEAD

SERIES 231



Ordering Matrix

Model	Finish
[]	[]
JTK-231	BK = Black WT = White PT = Platinum

Ordering Example (*model – finish*) : JTK-231-PT

Product Details

Description:	Line voltage track head using PAR30S lamps. Designed for use with WAC J & J2 series track. Adaptable to other manufacturer's track. (Consult factory for specific brands).
Materials:	Die-cast aluminum fixture, cap ring and check ring. Clear 1/8 inch tempered glass lens included.
Socket:	Medium base porcelain socket with nickel-plated copper screw shell.
Aiming:	350° horizontal rotation and 90° vertical aiming with indexing scales. Spring loaded buttons lock to secure the aiming adjustment on horizontal and vertical axis.
Lamping:	Re-lamps from the front using PAR30S lamps, 75W maximum. Lamp not included.
Finish:	Powder coat paint finish. Available in Black (BK), White (WT), Platinum (PT).
Listing:	UL & CUL Listed.

Specification Features

- Die-cast aluminum fixture with integral indexing scales to assure precise directional adjustment.
- Threaded check ring within lens cap allows 2 captive accessories to be held securely.
- The 231 track luminaire utilizes the second circuit on the J2 style track with the use of the JCLIP.
- Accommodates up to 2 lenses and one accessory.
- 5 year product warranty.

Track Adaptor Information

Standard Adaptor
For J style
WAC track



J2 Adaptor
For J2 style
WAC track



JCLIP
Ordered when using track
heads on 2nd circuit of J2



Compatible Accessories

LENS-30-DIC-COLOR
Dichroic Lenses

LENS-30-COLOR
Color Lenses

AMB = Amber ; BLU = Blue ; GRN = Green
RED = Red ; YEL = Yellow



LENS-30-HCL
Honeycomb Louver



LENS-30-CRL
Cross Louver



HOOD-095-BK
Light Deflecting Hood
for wall wash application



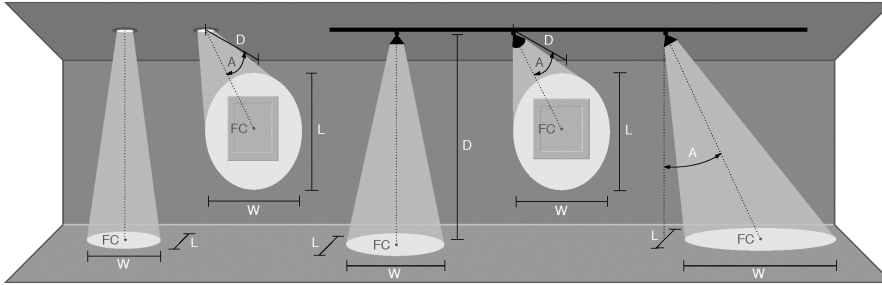
LENS-30-UVF
UV Filter

LENS-30-FR
Frosted Lens

LENS-30-SPR
Spread Lens

LENS30-BEL
Beam Elongating Lens

Photometry



D Distance To Fixture From Wall Or Floor
FC Initial Footcandle Level At Center Of Beam
L Beam Length (where candlepower drops to 50% of maximum)
W Beam Width (where candlepower drops to 50% of maximum)

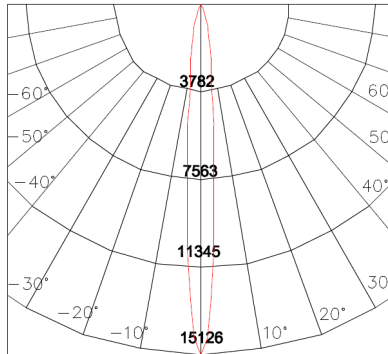
75W PAR30 NSP (10 DEG)

0° Aiming Angle

D(ft)	FC	W	L
6	420	0.9	0.9
9	187	1.4	1.4
12	105	1.9	1.9
15	67	2.4	2.4

45° Aiming Angle

D(ft)	FC	W	L
6	149	1.9	1.3
9	66	2.9	2.0
12	37	3.8	2.7
15	24	4.8	3.3



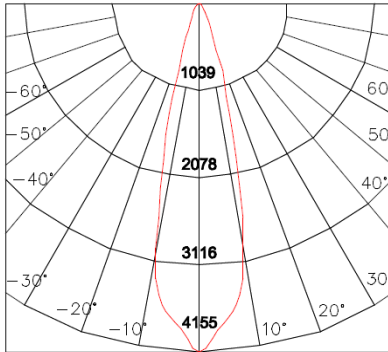
75W PAR30 NFL (25 DEG)

0° Aiming Angle

D(ft)	FC	W	L
6	115	2.7	2.7
9	51	4.0	4.0
12	29	5.3	5.3
15	18	6.7	6.7

45° Aiming Angle

D(ft)	FC	W	L
6	41	5.6	3.8
9	18	8.4	5.6
12	10	11.2	7.5
15	7	14.0	9.4



75W PAR30 FL (40 DEG)

0° Aiming Angle

D(ft)	FC	W	L
6	62	4.4	4.4
9	27	6.6	6.6
12	15	8.7	8.7
15	10	10.9	10.9

45° Aiming Angle

D(ft)	FC	W	L
6	22	10.1	6.2
9	10	15.1	9.3
12	5	20.1	12.4
15	3	25.2	15.4

