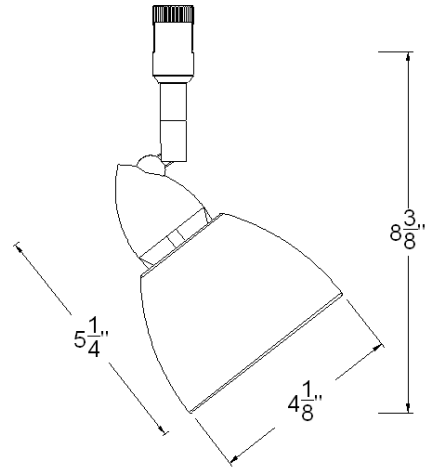


FLEXRAIL1™ – LINE VOLTAGE TRACK HEAD

SERIES HM1-784



Ordering Matrix

Series	Model	Finish
<input type="text"/>	<input type="text"/>	<input type="text"/>
HM1	784	DB PT

Ordering Example (*series number – model number – finish*): HM1-784-DB

Product Details

Description: Flexrail1™ compatible cone style line voltage track head utilizing PAR30 lamps.

Materials: Track head and connector are die-cast aluminum. Track adaptor is polycarbonate. Medium base lamp socket is porcelain with nickel-plated copper shell.

Aiming: 350° horizontal rotation and 90° vertical aiming with integral ball and swivel mounting feature. All die-cast parts assure the aiming tension is kept through continuous use and maintenance.

Lamping: Uses PAR30 lamp. 75W maximum.

Finish: Abrasion resistant platinum or bronze paint finish.
DB = Dark Bronze metal finish
PT = Platinum metal finish

Listing: UL & CUL Listed.

Specification Features

- Die-cast aluminum track head with smooth aiming and contemporary design.
- 5 year WAC Lighting product warranty.