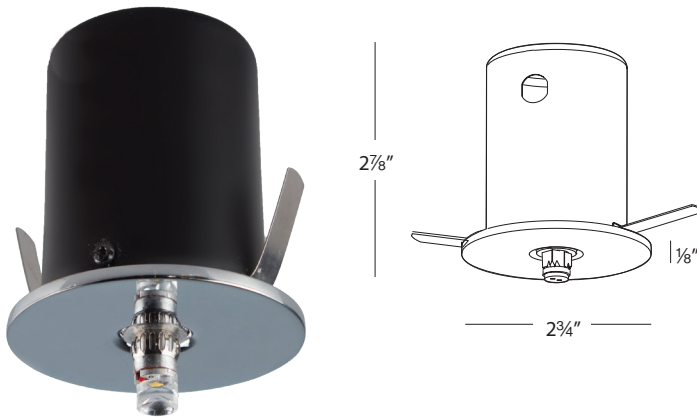


# DR-LED302-30-CH

LED Beauty Spots™ Canopy

# WAC LIGHTING

Responsible Lighting®



Fixture Type:

Catalog Number:

Project:

Location:

## PRODUCT DESCRIPTION

Beauty Spots™ series are designed for use in drywall ceilings, grid ceilings, walls, or displays. Glass shades fit over the LED lamp and are retained by a spring band.

## FEATURES

- Use 24V, Class 2, enclosed remote electronic transformer (order separately).
- Easily mounted on suspended or finished ceilings.
- Can be used individually as accent pieces or grouped together.
- 5 year WAC Lighting product warranty

## SPECIFICATIONS

**Construction:** Plated chrome. Wiring compartment is steel, painted black.

**Light Source:** LED 4.5W with canopy.

**Hardware:** No screws, nails or hardware required. Flat "wing" springs expand against the cut out hole to hold fixture against the surface. 2 3/8" cut out hole.

**Mounting:** Integral wiring compartment with standard size knock out hole on top. When using a class II power supply, side hole may be used for wire entry

**Standards:** UL & CUL Listed.

**Dimming:** ELV Dimming, 100%-10%

## ORDERING INFORMATION

Source	Model #	Finish	Watt	Cutout	Color Temp	Lumens
LED	<b>DR-LED302-30</b>	<b>CH</b> Chrome	4.5W	2 3/8"	3000K	150

**DR-LED302-30** - **CH**

Example: **DR-LED302-30-CH**

## ELECTRONIC ENCLOSED TRANSFORMERS

Model #	Input	Output	Max Watt	Min Watt
<b>EN-2460-RB2</b>	120V	24V	60W	1W
<b>EN-24100-RB2</b>	120V	24V	96W	1W
<b>EN-24100-277-RB2</b>	120-277V	24V	96W	1W

## WAC Lighting

www.waclighting.com

Phone (800) 526.2588 • Fax (800) 526.2585

## Headquarters/Eastern Distribution Center

44 Harbor Park Drive • Port Washington, NY 11050

Phone (516) 515.5000 • Fax (516) 515.5050

## Western Distribution Center

1750 Archibald Avenue • Ontario, CA 91760

Phone (800) 526.2588 • Fax (800) 526.2585