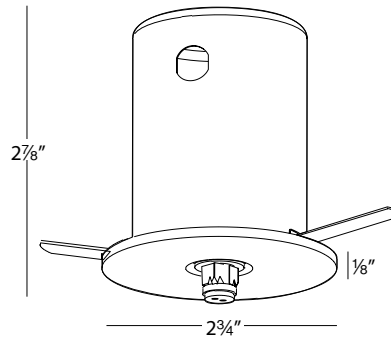


DR-301-CH

Low Voltage Beauty Spots™ Canopy

WAC LIGHTING

Responsible Lighting®



Fixture Type:

Catalog Number:

Project: _____

Location: _____

PRODUCT DESCRIPTION

Beauty Spots™ series are designed for use in drywall ceilings, grid ceilings, walls, or displays. Clear and colored crystal shades fit over the lamp and are retained by a spring band.

FEATURES

- Integral wiring compartment
- Wire several Beauty Spots™ from a single remote transformer
- Longer lasting Xenon lamps
- For use in IC and non-IC applications

SPECIFICATIONS

Construction: Plated chrome. Wiring compartment is steel, painted black.

Light Source: Xenon bi-pin 12/24 volt, 20 watt maximum (12V 20W clear lamp supplied with canopy/housing).

Hardware: No screws, nails or hardware required. Flat "wing" springs expand against the cut out hole to hold fixture against the surface. 2 3/8" cut out hole.

Mounting: Integral wiring compartment with standard size knock out hole on top. Use remote electronic or magnetic transformer, 12 or 24 volt.

Standards: UL & CUL Listed.

ORDERING INFORMATION

Model #	Finish
DR-301	CH Chrome

DR-301 - **CH**

Example: DR-301-CH

ELECTRONIC ENCLOSED TRANSFORMERS

Model #	Input	Output	Max Watt	Min Watt
EN-1260-RB2	120V	12V	60W	1W
EN-1275-RB-AR	120V	12V	75W	1W
EN-12100-RB-AR	120V	12V	100W	1W
EN-12150-RB-AR	120V	12V	150W	1W

WAC Lighting
www.waclighting.com
Phone (800) 526.2588 • Fax (800) 526.2585

Headquarters/Eastern Distribution Center
44 Harbor Park Drive • Port Washington, NY 11050
Phone (516) 515.5000 • Fax (516) 515.5050

Western Distribution Center
1750 Archibald Avenue • Ontario, CA 91760
Phone (800) 526.2588 • Fax (800) 526.2585