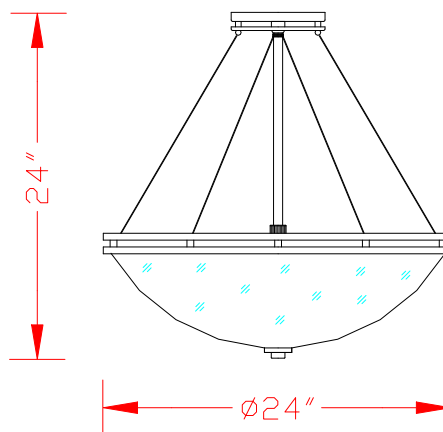


MANHATTAN ARCHITECTURAL PENDANT

SERIES DP- A24



Ordering Matrix

| Model | Lamp | Metal Finish | Diffuser |
|--------|-------|--------------|-----------|
| DP-A24 | 4TF32 | BN BZ | OA OG* |

Ordering Example (model number – lamp – metal finish – diffuser) : DP-A24-4TF32-BN/OA

Product Details

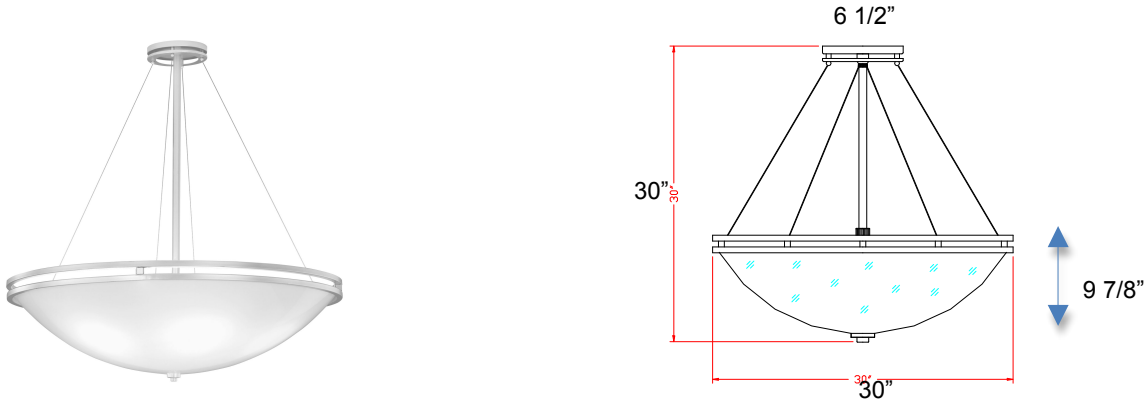
| | |
|---------------------|---|
| Description: | Decorative specification grade pendant that blends well into commercial, hospitality, high-end residential projects. The bowl comes in an opal finish that hides the lamp image while providing uniform light distribution. Pendants provide comfortable ambient lighting by directing the light upward and diffusing the downlight portion. |
| Materials: | Pendant diffuser is made of either Opal Acrylic (OA) or etched Opal Glass (OG). All visible metal parts pendant parts are Brushed Nickel or Designer Bronze. Bowl is supported with four braided aircraft cables to assure proper alignment. Glass diffusing bowl available in both incandescent and CFL*. Acrylic diffusing bowl only available for CFL lamping. |
| Dimensions: | 24" H x 24" W (8 7/8" Bowl Height) Standard length of pendant including bowl is 24" |
| Mounting: | 6 1/2" mounting canopy |
| Lamping: | Four 32w four-pin triple tube compact fluorescent (4TF32) |
| Finish: | BN = Brushed Nickel metal finish BZ = Designer Bronze metal finish |
| Listing: | UL & CUL Listed. |
| Options: | Contact factory regarding Emergency and Dimming ballasts. |

Specification Features

- Opal Acrylic bowl diffuser (**OA**) comes with a standard acrylic dust cover for clean appearance and easy maintenance.
- Opal Glass bowl diffuser (**OG**) comes with a mesh dust cover for easy maintenance and lifetime durability.
- Compact Fluorescent Manhattan pendants use integral high efficiency 120v/277v electronic ballasts that provide instant starts and long lamp life.
- Pendant Extensions options include;
 - DP-X6 = 6" Extension
 - DP-X12 = 12" Extension
 - DP-X24 = 24" Extension
 - DP-X36 = 36" Extension
- 5 year WAC Architectural Lighting product warranty.

MANHATTAN ARCHITECTURAL PENDANT

SERIES DP- A30



Ordering Matrix

| Model | Lamp | Metal Finish | Diffuser |
|--------|-------|--------------|----------|
| DP-A30 | 4TF42 | BN BZ | OA OG |

Ordering Example (model number – lamp – metal finish – diffuser) : DP-A30-4TF42-BN/OG

Product Details

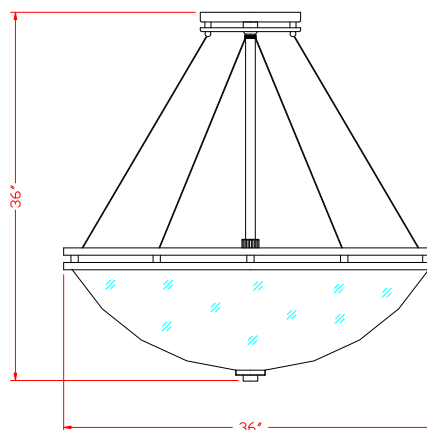
| | |
|---------------------|--|
| Description: | Decorative specification grade pendant that blends well into commercial, hospitality, high-end residential projects. The bowl comes in an opal finish that hides the lamp image while providing uniform light distribution. Pendants provide comfortable ambient lighting by directing the light upward and diffusing the downlight portion. |
| Materials: | Pendant diffuser is made of either Opal Acrylic (OA) or etched Opal Glass (OG). All visible metal parts pendant parts are Brushed Nickel or Designer Bronze. Bowl is supported with four braided aircraft cables to assure proper alignment. |
| Dimensions: | 30" H x 30" W (10 7/8" Bowl Height) Standard length of pendant including bowl is 30" |
| Mounting: | 6 1/2" mounting canopy |
| Lamping: | Four 42w four-pin triple tube compact fluorescent (4TF42). Lamps are available in your choice of warm (2700K), neutral (3500K), and cool (4000K) colors, ordered separately. |
| Finish: | BN = Brushed Nickel metal finish BZ = Designer Bronze metal finish |
| Listing: | UL & CUL Listed. |
| Options: | Contact factory regarding Emergency and Dimming ballasts. |

Specification Features

- Opal Acrylic bowl diffuser (OA) comes with a standard acrylic dust cover for clean appearance and easy maintenance.
- Opal Glass bowl diffuser (OG) comes with a mesh dust cover for easy maintenance and lifetime durability.
- Compact Fluorescent Manhattan pendants use integral high efficiency 120v/277v electronic ballasts that provide instant starts and long lamp life.
- Pendant Extension options include;
 - DP-X6 = 6" Extension
 - DP-X12 = 12" Extension
 - DP-X24 = 24" Extension
 - DP-X36 = 36" Extension
- 5 year WAC Architectural Lighting product warranty.

MANHATTAN ARCHITECTURAL PENDANT

SERIES DP- A36



Ordering Matrix

| Model | Lamp | Metal Finish | Diffuser |
|--------|-------|--------------|----------|
| DP-A36 | 6TF42 | BN BZ | OA |

Ordering Example (model number – lamp – metal finish – diffuser) : DP-A36-6TF42-BN/OA

Product Details

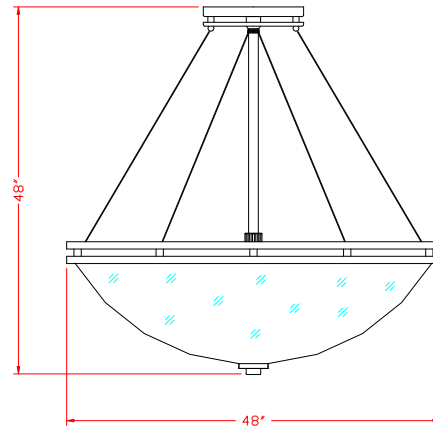
| | |
|---------------------|--|
| Description: | Decorative specification grade pendant that blends well into commercial, hospitality, high-end residential projects. The bowl comes in an opal finish that hides the lamp image while providing uniform light distribution. Pendants provide comfortable ambient lighting by directing the light upward and diffusing the downlight portion. |
| Materials: | Pendant diffuser is made of Opal Acrylic (OA). All visible metal parts pendant parts are Brushed Nickel or Designer Bronze. Bowl is supported with four braided aircraft cables to assure proper alignment. |
| Dimensions: | 36" H x 36" W (12 5/8" Bowl Height) Standard length of pendant including bowl is 36" |
| Mounting: | 6 1/2" mounting canopy |
| Lamping: | Six 42w four-pin triple tube compact fluorescent (6TF42). Lamps are available in your choice of warm (2700K), neutral (3500K), and cool (4000K) colors, ordered separately. |
| Finish: | BN = Brushed Nickel metal finish BZ = Designer Bronze metal finish |
| Listing: | UL & CUL Listed. |
| Options: | Contact factory regarding Emergency and Dimming ballasts. |

Specification Features

- Opal Acrylic bowl diffuser (OA) comes with a standard acrylic dust cover for clean appearance and easy maintenance.
- Compact Fluorescent Manhattan pendants use integral high efficiency 120v/277v electronic ballasts that provide instant starts and long lamp life.
- Matching family of pendants and ADA sconces also available.
- Pendant Extensions options include;
 - DP-X6 = 6" Extension
 - DP-X12 = 12" Extension
 - DP-X24 = 24" Extension
 - DP-X36 = 36" Extension
- 5 year WAC Architectural Lighting product warranty.

MANHATTAN ARCHITECTURAL PENDANT

SERIES DP- A48



Ordering Matrix

| Model | Lamp | Metal Finish | Diffuser |
|--------|-------|--------------|----------|
| DP-A48 | 8TF42 | BZ | OA |

Ordering Example (*model number – lamp – metal finish – diffuser*): DP-A48-8TF42-BZ/OA

Product Details

Description: Decorative specification grade pendant that blends well into commercial, hospitality, high-end residential projects. The bowl comes in an opal finish that hides the lamp image while providing uniform light distribution. Pendants provide comfortable ambient lighting by directing the light upward and diffusing the downlight portion.

Materials: Pendant diffuser is made of Opal Acrylic (**OA**). All visible metal parts pendant parts are Designer Bronze. Bowl is supported with four braided aircraft cables to assure proper alignment.

Dimensions: 48" H x 48" W (16 ¼" Bowl Height)
Standard length of pendant including bowl is 48".

Mounting: 6 ½" mounting canopy.

Lamping: Eight 42w four-pin triple tube compact fluorescent (8TF42). Lamps are available in your choice of warm (2700K), neutral (3500K), and cool (4000K) colors, ordered separately.

Finish: BZ = Designer Bronze metal finish

Listing: UL & CUL Listed.

Options: Contact factory regarding Emergency and Dimming ballasts.

Specification Features

- Opal Acrylic bowl diffuser (**OA**) comes with a standard acrylic dust cover for clean appearance and easy maintenance.
- Compact Fluorescent Manhattan pendants use integral high efficiency 120v/277v electronic ballasts that provide instant starts and long lamp life.
- Pendant Extension options include;
DP-X6 = 6" Extension
DP-X12 = 12" Extension
DP-X24 = 24" Extension
DP-X36 = 36" Extension
- 5 year WAC Architectural Lighting product warranty.