

TELESCOPING WASH LIGHT - model: DL-150
Line Voltage Clamp Mount Spot Light

WAC LIGHTING
Responsible Lighting®

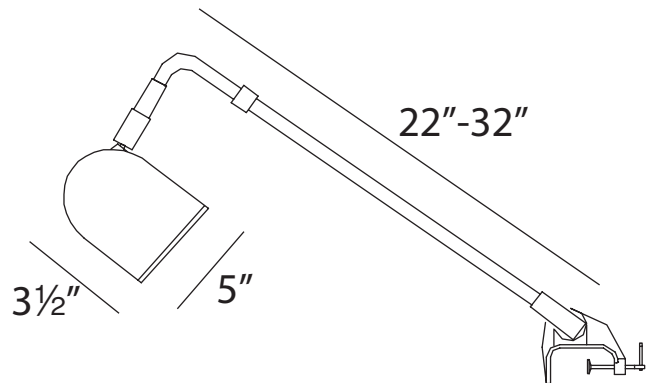


Fixture Type:

Catalog Number:

Project: _____

Location: _____



PRODUCT DESCRIPTION

Line voltage wall wash type display light with vertical louvers for use on wall partitions, display booths, and portable work areas. Utilizes t-style quartz halogen lamp and internal reflector to produced uniform wall illumination. Mounts to flat surfaces with tension clamp, accomodating widths of 1/2" to 2 1/2".

FEATURES

- Includes 2" clamp and 10' cord.
- Sliding adjustable socket to accommodate lamp positioning
- 120V 150W linear halogen, J-150S lamp included.
- Periscoping style arm can allow the head of the display light to be place up to an extra 10" back from surface and then locked in place with a simple twist and lock.

SPECIFICATIONS

Aiming: Ball and hub aiming feature allows a full range of vertical and horizontal orientation. All die-cast parts assure the aiming angle is kept in place through continuous use and maintenance.

Materials: Fixture head and connector are die-cast aluminum. Periscoping arm is steel. Internal louvers aluminum. Clamp is heavy duty polycarbonate. Medium base lamp socket is porcelain with nickel-plated copper shell.

Standards: ETL and cETL Listed.

ORDER NUMBER

Model #	Finish
DL-150	BK Black WT White

DL-150 -

Example: **DL-150-BK**

ALTERNATIVE CLAMPS (optional)

Model #	Description	Finish
DLC-P	Pipe Clamp - For pipes 1/2" to 2 1/2"	BK Black
DLC-4	4" Clamp - For flat surfaces from 2" to 4" wide	WT White

Example: **DLC-P-BK**

WAC Lighting
www.waclighting.com
Phone (800) 526.2588 • Fax (800) 526.2585

Headquarters/Eastern Distribution Center
615 South Street • Garden City, NY 11530
Phone (516) 515.5000 • Fax (516) 515.5050

Western Distribution Center
168 Brea Canyon Road • City of Industry, CA 91789
Phone (800) 526.2588 • Fax (800) 526.2585