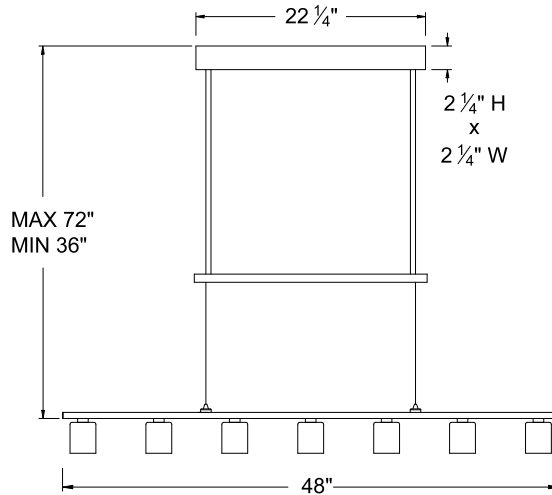


COUNTERBALANCE ADJUSTABLE CHANDELIER

MODEL AP-7RE



Ordering Matrix		
Model	Series	Finish
[]	[]	[]
AP	7RE	BN

Ordering Example (model number – series number – finish) : AP-7RE-BN

Product Details		Specification Features
Description:	BALANS series low voltage adjustable pendant with white glass shades. Designed for flat ceilings.	<ul style="list-style-type: none"> Electronic transformer has advanced auto-reset, soft start and short circuit protection features. The soft start delayed lamp start feature extends lamp life by delaying the abrupt inrush current to the lamp. The j-box cover plate may be field painted by the installer to match the color of the ceiling. “Quick-Ship” item, always in stock and available for immediate shipment. Dim the AP-7RE pendant with an electronic low voltage dimmer.
Materials:	Formed metal canopy, counterbalance, decorative pendant bar, and j-box cover plate. Galvanized steel backplate. One low voltage electronic transformer located in the canopy. Two sets of low voltage wires running from the canopy to the deco bar. Seven cased white glass shades. Mounting hardware, including screws and wire nuts are included.	
Transformer:	One 12v electronic low voltage (model EN-12150-R-AR). 120 volt input / 12 volt output. 50hz/60hz.	
Lamping:	Seven 20w xenon bi-pin BP-20 included. Maximum wattage for each lamp socket is 20 watts.	
Mounting:	Mounts over a standard 4” junction box. Base plate covers junction box opening, the canopy attaches to base plate with three screws. There are two trade sized knockout on the base plate.	
Finish:	Brushed Nickel (BN)	
Listing:	U.L. & C.U.L. listed. 5 year WAC Lighting product warranty.	