

# AETHER 3.5" SHALLOW IC LED DOWNLIGHT

Adjustable Trimless - R3ARAL, R3ASAL

# WAC LIGHTING

Responsible Lighting®



Fixture Type:

Catalog Number:

Project:

Location:

## PRODUCT DESCRIPTION

Shallow housing that is designed to fit in tight plenum spaces without sacrificing lumen output.

## FEATURES

- Designed to fit in tight plenum
- 3.5" trim aperture, 3.5" housing height
- 0°- 30° Adjustability
- Universal input voltage (120V-277V)
- Damp location listed for trims
- 5 year WAC Lighting product warranty
- Title 24 Compliant
- Energy Star® Rated

## SPECIFICATIONS

**Construction:** Die-cast aluminum trim with extruded aluminum heat sink

**Dimming:** 100% - 0% with 0-10V dimmer

100% - 5% with Electronic Low Voltage (ELV) dimmer

**Input:** 120V-277V AC

**Power:** 15.5W, power factor 0.98

**Mounting:** Retention clips firmly hold trim to housing.

**Finish:** Powder coated white, black, enamel coated haze, brushed nickel.

**Ceiling thickness:** ½" - 1½"

**Standards:** ETL & cETL Damp Location Listed

IC-rated airtight housing with available Chicago plenum version.

## TRIM (SEE NEXT PAGE FOR HOUSING)

	Beam	Color Temp	CRI	Lumen	CBCP	Finish	Interior/Trim
<b>R3ARAL</b> Round 0°- 30° Adjustable 	<b>S</b> 15°	<b>827</b> 2700K 85 1060 5295	<b>HZ</b> <b>WT</b> <b>BK</b> <b>BN</b>	Haze White Black Brushed Nickel			
		<b>927</b> 2700K 90 880 4415					
		<b>830</b> 3000K 85 1105 5515					
		<b>930</b> 3000K 90 920 4590					
		<b>835</b> 3500K 85 1135 5675					
		<b>840</b> 4000K 85 1150 5740					
	<b>N</b> 25°	<b>827</b> 2700K 85 1110 4020	<b>HZ</b> <b>WT</b> <b>BK</b> <b>BN</b>	Haze White Black Brushed Nickel			
		<b>927</b> 2700K 90 925 3350					
		<b>830</b> 3000K 85 1160 4190					
		<b>930</b> 3000K 90 965 3485					
		<b>835</b> 3500K 85 1190 4310					
		<b>840</b> 4000K 85 1205 4360					
<b>F</b> 50°	<b>827</b> 2700K 85 1050 1760	<b>HZ</b> <b>WT</b> <b>BK</b> <b>BN</b>	Haze White Black Brushed Nickel				
	<b>927</b> 2700K 90 875 1465						
	<b>830</b> 3000K 85 1095 1835						
	<b>930</b> 3000K 90 910 1525						
	<b>835</b> 3500K 85 1125 1885						
	<b>840</b> 4000K 85 1140 1906						
<b>R3ASAL</b> Square 0°- 30° Adjustable 	<b>S</b> 15°	<b>827</b> 2700K 85 990 5610	<b>HZ</b> <b>WT</b> <b>BK</b> <b>BN</b>	Haze White Black Brushed Nickel			
		<b>927</b> 2700K 90 830 4675					
		<b>830</b> 3000K 85 1040 5845					
		<b>930</b> 3000K 90 865 4860					
		<b>835</b> 3500K 85 1070 6010					
		<b>840</b> 4000K 85 1080 6075					
	<b>N</b> 25°	<b>827</b> 2700K 85 1045 4000	<b>HZ</b> <b>WT</b> <b>BK</b> <b>BN</b>	Haze White Black Brushed Nickel			
		<b>927</b> 2700K 90 870 3335					
		<b>830</b> 3000K 85 1090 4170					
		<b>930</b> 3000K 90 905 3470					
		<b>835</b> 3500K 85 1120 4290					
		<b>840</b> 4000K 85 1135 4335					
<b>F</b> 50°	<b>827</b> 2700K 85 990 1775	<b>HZ</b> <b>WT</b> <b>BK</b> <b>BN</b>	Haze White Black Brushed Nickel				
	<b>927</b> 2700K 90 820 1480						
	<b>830</b> 3000K 85 1030 1850						
	<b>930</b> 3000K 90 832 1540						
	<b>835</b> 3500K 85 1055 1900						
	<b>840</b> 4000K 85 1070 1923						

**R3A AL- -**

Example: **R3ARAL-N930-HZ**

wacighting.com

Phone (800) 526.2588

Fax (800) 526.2585

Headquarters/Eastern Distribution Center

44 Harbor Park Drive

Port Washington, NY 11050

Central Distribution Center

1600 Distribution Ct

Lithia Springs, GA 30122

Western Distribution Center

1750 Archibald Avenue

Ontario, CA 91760

# AETHER 3.5" SHALLOW IC LED DOWNLIGHT

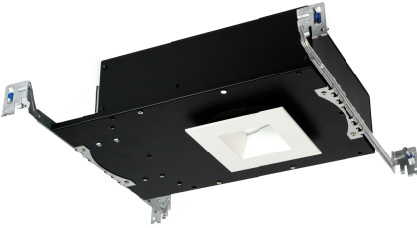
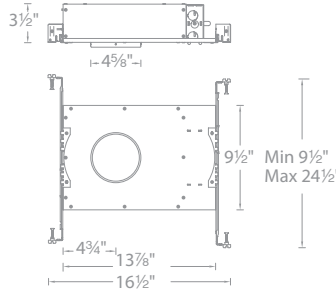
Housing - HR-3LED-H17A

# WAC LIGHTING

Responsible Lighting®

## HOUSING

Model

 <p><i>Shown with open square white trim</i></p>		<b>HR-3LED-H17A</b>	<i>New Construction IC-rated, Airtight</i>
		<b>HR-3LED-H17AC</b>	<i>New Construction IC-rated, Airtight Chicago Plenum</i>

## HR-3LED-H17 \_\_\_\_\_

Example: **HR-3LED-H17A**

[wacighting.com](http://wacighting.com)  
 Phone (800) 526.2588  
 Fax (800) 526.2585

**Headquarters/Eastern Distribution Center**  
 44 Harbor Park Drive  
 Port Washington, NY 11050

**Central Distribution Center**  
 1600 Distribution Ct  
 Lithia Springs, GA 30122

**Western Distribution Center**  
 1750 Archibald Avenue  
 Ontario, CA 91760