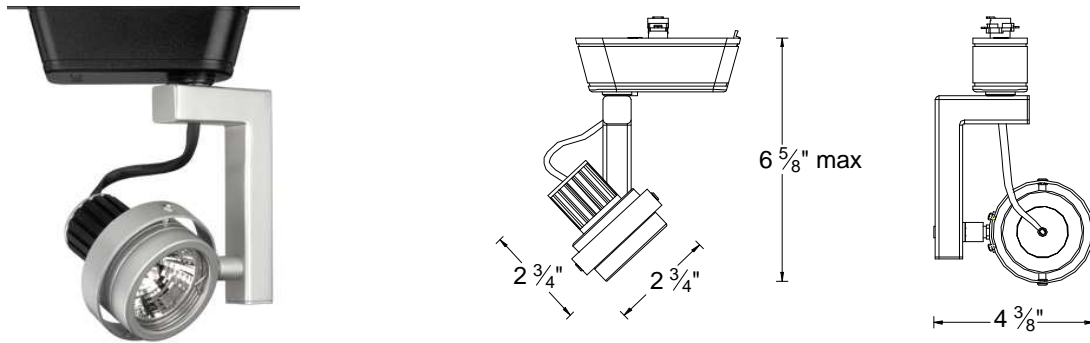


<b>CATALOG NUMBER</b>	<b>TYPE</b>
<b>PROJECT</b>	

**LOW VOLTAGE TRACK HEAD**

**SERIES 815**



**Ordering Matrix**

Model			Series	Finish			
HHT	JHT	LHT	815	BK	PT/BK	PT/WT	WT

Ordering Example (model – series – finish): HHT-815-PT/BK

**Product Details**

**Description:** Low voltage track head for use with W.A.C. brand H, L, J & J2 series track systems. In addition it may fit other manufacturer's original track (consult factory for specific brands).

**Materials:** Die-cast aluminum track head with polycarbonate transformer case and track adapter. Heat resistant black rubber grip over the rear socket assembly. Bi-pin ceramic socket for MR16 lamp. Clear lens.

**Aiming:** 350° horizontal rotation and 90° vertical aiming. The "L" style yoke and pivot head allows easy and fine adjustment to the desired angle.

**Lamp & Transformer:** MR16 lamp. 50W max. Lamp sold separately. Integral electronic transformer for 12 volt MR16 lamps. 120V input. Dimmable with electronic low voltage dimmers.

**Systems:** HHT is used with the W.A.C. H system track (HT). JHT is used with the W.A.C. J system and J2 system track (JT & J2-T). LHT is used with the W.A.C. L system track (LT)

**Finish:** Abrasion resistant powder coat paint finish. Black (BK), Platinum track head with Black transformer adapter (PT/BK), Platinum track head with White transformer adapter (PT/WT), or White (WT).

**Listing:** U.L. & C.U.L. listed. 5 year W.A.C. Lighting product warranty.

**Specification Features**

- "Quick-Ship" item, always in stock and available for immediate shipment.
- The supplied clear glass lens can be replaced with one lens accessory such as a colored dichroic lens, UV filter lens, frosted lens, etc. See catalog or website for full lens accessory selection.
- Electronic transformer has advanced auto-reset, soft start and short circuit protection features. The soft start delayed lamp start feature extends lamp life by delaying the abrupt inrush current to the lamp.

**Compatible Accessories**

**JCLIP**

Ordered when using track heads on 2<sup>nd</sup> circuit of J2 style track.



Order as JCLIP