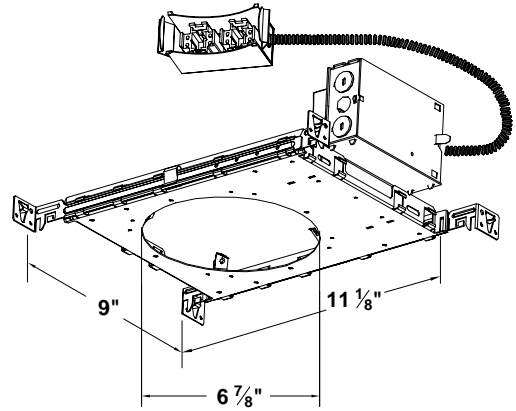


CATALOG NUMBER	TYPE
PROJECT	

LINE VOLTAGE 6" DOWNLIGHT **MODEL R6HF-213Q**



Ordering Matrix		
Model	Series	Trim
[]	[]	[]
R6HF	213Q	<i>see page two for selection</i>

Ordering Example (model – series + trim): R6HF-213Q + trim number

Product Details	
Description:	Line voltage new construction “frame-in kit” type downlight housing for two horizontal compact fluorescent lamps. Uses full reflector style trims and snap-in style socket cup for precise positioning of lamp sources and maximum light output from the lamp sources. Designed for use in commercial installations where insulation will not be present.
Materials:	Frame and junction box are 20 gauge steel. Electrical components are a metal socket cup with two 4 pin G24Q-1 sockets and a high power factor electronic ballast. Tension clips on housing hold trim in place.
J-Box:	Seven knockouts and four integral Romex® wiring connectors provided for ease of installation. Rated for branch circuit wiring.
Lamping:	Accepts two 13 watt quad tube 4-pin CFL lamps. Lamps are sold separately.
Ballast:	High Power Factor. Class P, Sound rated A Input: 120 to 277 Volt, 50/60 Hz
Ratings:	Non-IC rated. Insulation must be kept at least 3 inches away from the housing. U.L. and C.U.L. listed. Suitable for dry and damp locations.
Mounting:	Supplied with hanger bars, with a maximum adjustable length of 24” to accommodate various joist and grid sizes. Hanger bars have nailers for wood joists as well as slots for easy mounting on “T” bars. Accommodates surface thickness of up to 1”. 6 7/8” cutout hole.



Specification Features
<ul style="list-style-type: none"> Junction box and socket cup are accessible from below the ceiling. The J-box has a spring loaded door for easy access to the wiring. The R6HF utilizes full reflector trims that provide performance photometrics from CFL lamps. Electronic ballast has end of life and inherent thermal protection. “Quick-Ship” item, usually in stock at our distribution centers for immediate shipment requests. Hanger bar slots are located on all four sides of the frame. 2 year W.A.C. Lighting product warranty.



615 South Street
 Garden City, NY 11530
 Tel: 516.515.5000 Fax: 516.515.5050
 www.waclighting.com

<u>CATALOG NUMBER</u>	<u>TYPE</u>
<u>PROJECT</u>	

LINE VOLTAGE 6" DOWNLIGHT **MODEL R6HF-213Q**

Compatible Trims:					
R6HT-21-□□ Finish: SBK, SC		R6HT-22-□□ Finish: BK, WT		R6HT-23-□□ Finish: WT	
R6VT-24-□□ Finish: WT					
Finish Key: BK = Black, SBK = Specular Black, SC = Specular Clear, WT = White					

- Notes:** 1) The catalog number for a complete downlight includes the model numbers for both the trim and the housing.
 2) Additional information regarding specific trim details can be viewed on the individual trim spec sheets.