

INSTRUCTIONS: Line Volt Flexible Track Fixtures

Models: HTK-024 & HTK-048

Caution:

Read all instructions before installing. For use with WAC "H" series track system only. Switch off power before installing or relamping.

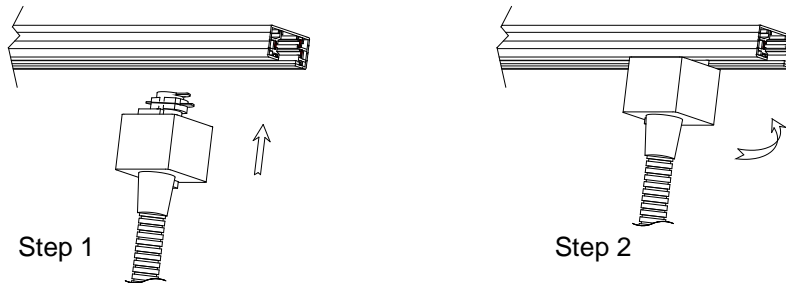
Overview: Fixtures are designed for use on WAC "H" series track. They may also be used on other manufacturers brand of track (consult factory for compatibility).

Lamp:

1. For use with Par, R, A, and G, Lamps 150 watt maximum.

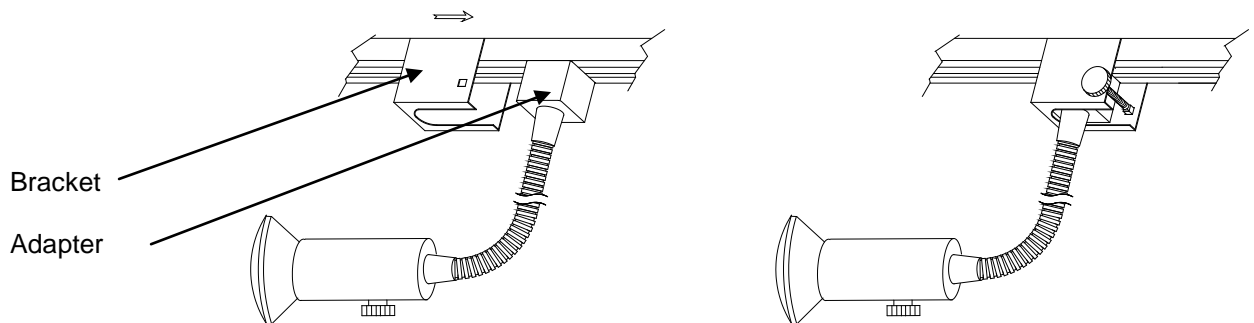
Installing on Track:

1. Note the track head contacts, and the polarity groove running the length of the track.
2. The two contacts should be positioned so that when rotated, they will face the grooved side of the track (this is the side with two flat copper wires running it's length).
3. Insert adapter into track slot. Pull downward on the adapter while rotating the adapter 90°.
4. Release the adapter so the locking tab seats in the track slot.
5. Removal is the reverse procedure. Tracks heads may be positioned anywhere along the track length.
6. Not suitable for use on wall mounted track.



Install support bracket:

1. Position bracket two inches to the side of the adapter with the open "U" end facing the adapter.
2. Be sure lip edges are positioned over the top of the track body.
3. Slide the bracket over the adapter, and then install the screw and thumb knob.
4. Tighten until bracket is snug against adapter.



Retain instructions for future reference.

INSTRUCTIONS: Line Volt Flexible Track Fixtures

Models: JTK-024 & JTK-048

Caution:

Read all instructions before installing. For use with WAC. "J" series track system only. Switch off power before installing or relamping.

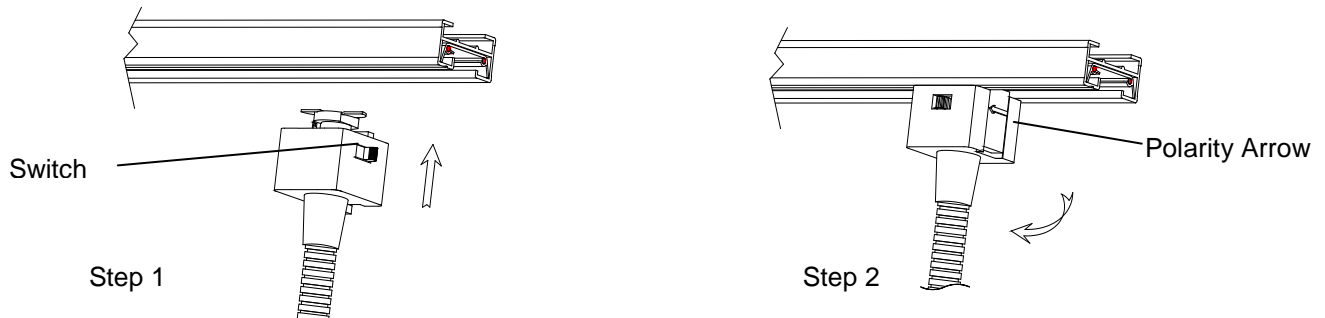
Overview: Fixtures are designed for use on WAC "J" series track. They may also be used on other manufacturers brand of track (consult factory for compatibility).

Lamp:

1. For use with Par, R, A, and G, Lamps 150 watt maximum.
2. Note: Fixtures are equipped with on off switches. Turn off to re-lamp, this allows other lights to remain energized.

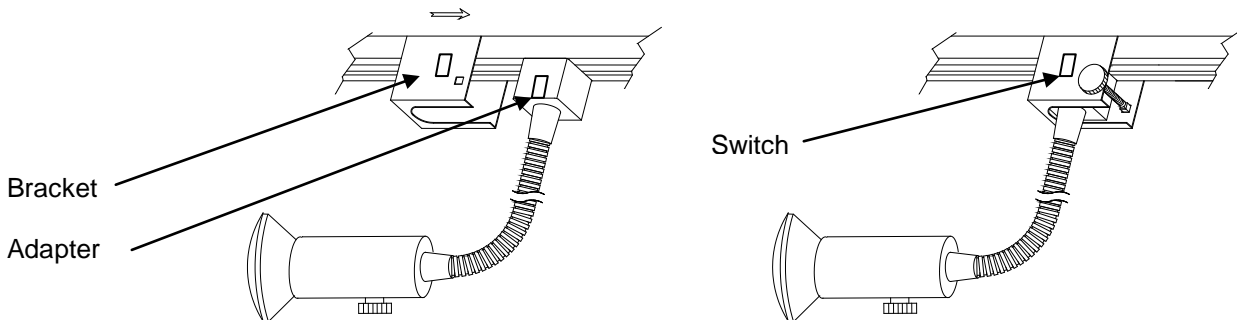
Installing on Track:

1. Note the track has a groove running it's length to indicate polarity.
2. Note the arrow on the locking tab.
3. Insert adapter into track slot and rotate it 90° The arrow should point to the grooved side of the track.
4. Make sure the locking tab seats in the track slot.
5. Removal is the reverse procedure. Track heads may be positioned anywhere along the track.
6. Not suitable for use on wall mounted track.



Install support bracket:

1. Position bracket two inches to the side of the adapter with the open "U" end facing the adapter.
2. Be sure lip edges are positioned over the top of the track body.
3. Slide the bracket over the adapter (you will need to flex one edge to clear the switch), and then install the screw and thumb knob.
4. Tighten until bracket is snug against adapter.



Retain instructions for future reference.

INSTRUCTIONS: Line Volt Flexible Track Fixtures

Models: LTK-024 & LTK-048

Caution:

Read all instructions before installing. For use with WAC "L" series track system only. Switch off power before installing or relamping.

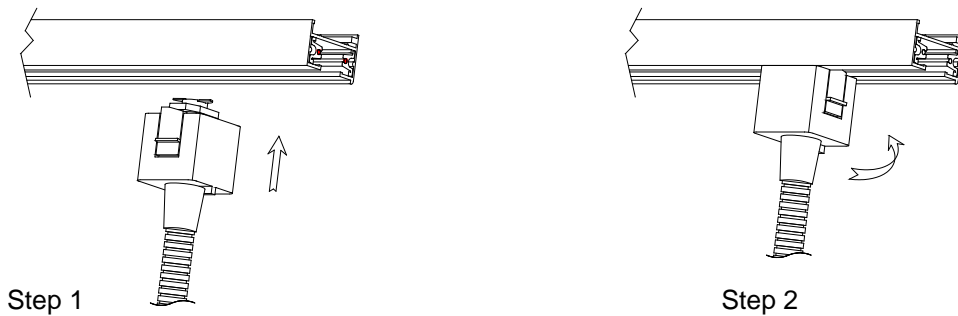
Overview: Fixtures are designed for use on WAC "L" series track. They may also be used on other manufacturers brand of track (consult factory for compatibility).

Lamp:

1. For use with Par, R, A, and G, Lamps 150 watt maximum.

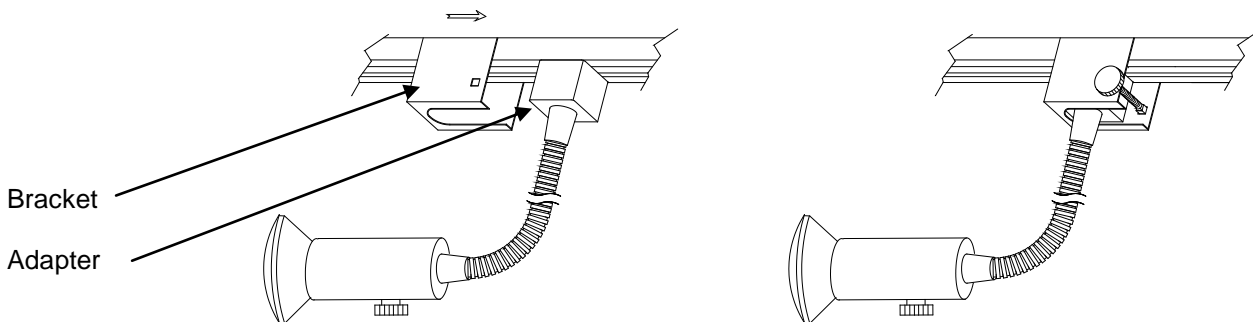
Installing on Track:

1. Note the track has a ridge running it's length to indicate polarity.
2. Note the slant of the locking tab.
3. Insert adapter into track slot and rotate it 90 °so that the low side of the locking tab faces the ridged side of the track.
4. Make sure the locking tab seats in the track slot.
5. Removal is the reverse procedure. Tracks may be positioned anywhere along the track length.
6. Not suitable for use on wall mounted track.



Install support bracket:

1. Position bracket two inches to the side of the adapter with the open "U" end facing the adapter.
2. Be sure lip edges are positioned over the top of the track body.
3. Slide the bracket over the adapter, and then install the screw and thumb knob.
4. Tighten until bracket is snug against adapter.



Retain instructions for future reference.