

INSTRUCTIONS: 6" Series Reflector Trims

Models: R6VT-21	R6VT-21MH	R6VT-22,	R6VT-23	R6VT-24	R6VT-26
R6VT-27	R6VT-27MH	R6VT-29	R6VT-29MH	R6VT-32	R6VT-33
R6VT-41	R6VT-42	R6VT-43	R6VT-44	R6VT-49	R6VT-51
R6VT-52	R6VT-53	R6VT-54	R6VT-55	R6VT-56	R6VT-58
R6VT-59	R6VT-60S	R6VT-61S	R6VT-62S	R6VT-66S	

Important:

Read all instructions before installing.

System is intended for installation in accordance with National Electric Code, and local regulations. Consult with local inspector to assure compliance.

To reduce the risk, electrical shock, turn off power at main switch before installing or modifying the system.

Retain instructions for future maintenance reference.

Overview:

Reflector Trims fit housings from the R6V series. Consult catalog or spec sheet for compatibility.

Installing Trims in:

Frame in Kits and New Construction Housings:

1. Snap the socket cup on to the trim reflector as shown.
2. On housings with adjustable retaining clips, make sure the clips are in the inward position.
3. Push the reflector straight up until it is tight against the ceiling.

Remodeling & New Construction Housings:

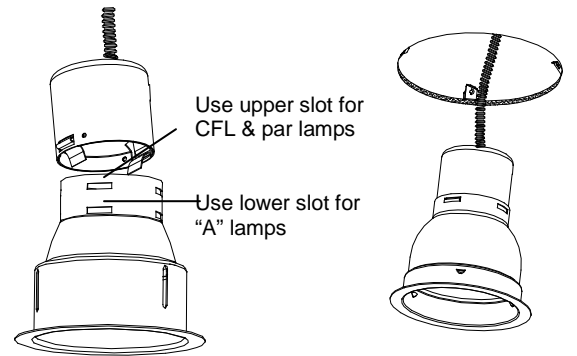
1. Snap the socket cup on to the reflector as shown.
2. (Remodeling) Push the entire socket cup with its two wing springs into the can. The socket will center itself as it is inserted.
3. Push the trim up until it is tight against the ceiling.

Adjustable trims:

1. Adjustable trims are available for both frame in and new construction incandescent housings.
2. The female end of the socket extension rests inside the reflector.
3. Reflector is supplied with a socket extension wire. Screw the male socket end into the socket cup.
4. The trim reflector has an opening in the side. The socket cup from the housing attaches to the opening. Snap the socket cup on to the reflector as shown.
5. On eyeball trim styles: Attach the female end to the top of the eyeball by inserting into the slots for compression springs.
6. Other styles will require the female socket end to be connected to a pivot bracket inside the trim, by means of a screw.
7. Push the trim straight up until it is tight against the ceiling.

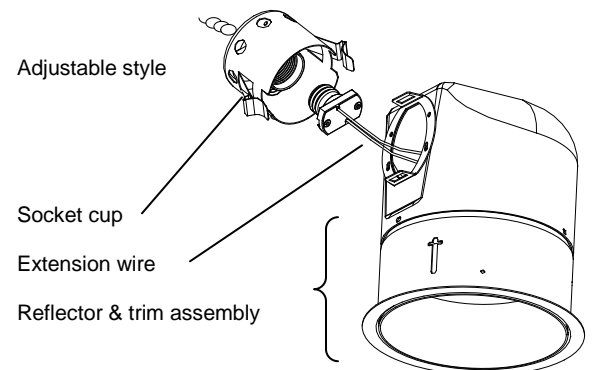
Sloped Ceiling trims:

1. Snap the socket cup on to the pivot bracket as shown.
2. Push the trim up until it is tight against the ceiling.
3. The baffle can only be inserted with one orientation. Install by aligning the key slot on the baffle with the tab on the trim and push up until baffle seats.



Attach reflector to socket cup

Push trim assembly to ceiling

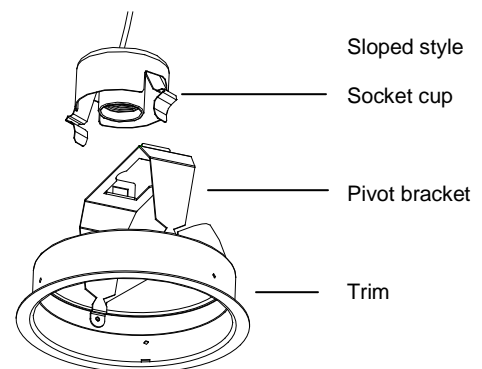


Adjustable style

Socket cup

Extension wire

Reflector & trim assembly



Sloped style

Socket cup

Pivot bracket

Trim