

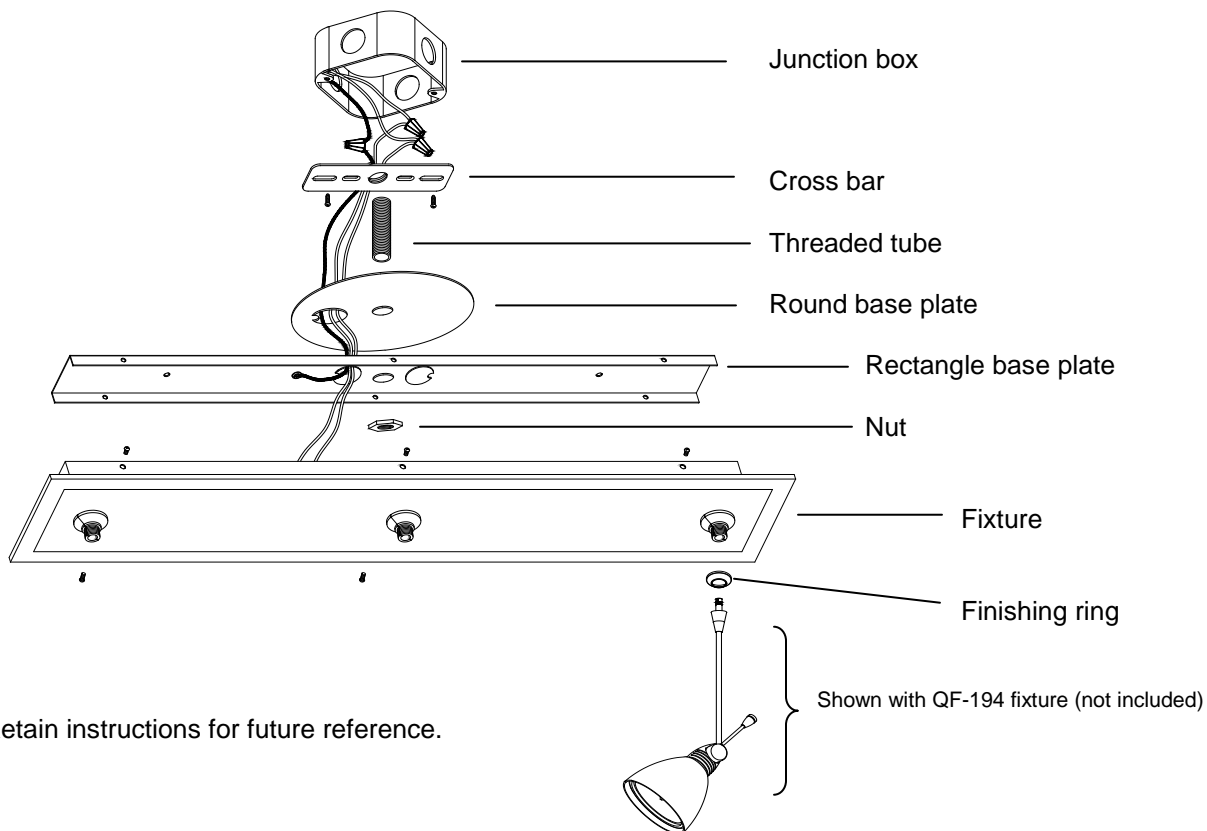
INSTRUCTIONS: Quick Connect Canopies
Models: QMP-M3RE and QMP-M4RE
QMP-G3RE and QMP-G4RE

CAUTION:

Always turn off power at fuse box prior to installation to prevent electrical shock.
 For installation by a qualified electrician.
 Line voltage wire must be 12AWG BX or Romex wire.
 Install over a standard 4 inch junction box.
 All wires must be contained in the junction box.

Overview: QMP Canopies are designed to fit all W.A.C quick connect fixtures. They may also be used on other manufacturers brand of quick connect (consult factory for compatibility). Uses 50 watts max each fixtures or pendants. Canopies come with self-contained electronic transformers that may be dimmed with an electronic low volt dimmer switch.

1. Mount cross bar to junction box. Screw the threaded rod to the crossbar.
2. Remove the six screws around the perimeter of the fixture. Separate round and rectangular base plates from the fixture.
3. Open a knock out hole in both plates.
4. Pass the black white and green wires from the fixture through the knockout holes of both plates.
5. Raise the fixture and plates close to the junction box and connect with corresponding color wall wires using wire nuts. Green wire is for ground connection; wall wire may be green or bare wire. Wires run to the side of the cross bar. Tuck wires back into the junction box. Position the threaded tube through the center holes of both the round and rectangular base plates, then secure with the large nut. Fold any excess wire neatly into the fixture. Position the fixture against the rectangular base plate and secure the 6 perimeter screws.



Retain instructions for future reference.