

INSTRUCTIONS: Line Voltage Socket Sets
MODEL: PLD-HTK501, PLD-LTK501, PLD-JTK501

CAUTION:

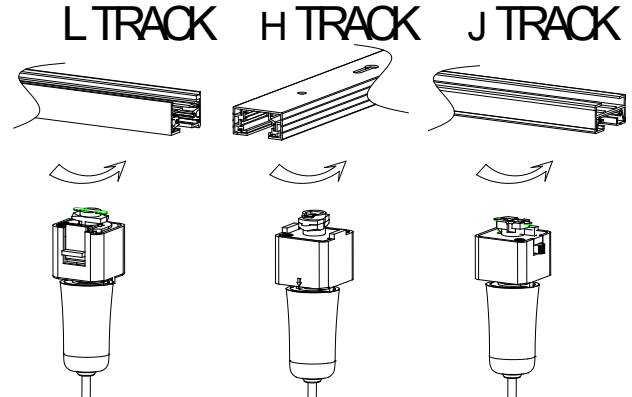
A qualified electrician must install fixture only. Fixture is intended for installation in accordance with National Electric Code, local and Federal code specifications.

To reduce the risk of fire, electrical shock and injuries to persons:

1. Read and save all instructions.
2. Turn off power at main switch before installing or modifying the system.
3. Remove from the track before relamping.
4. Lamp gets HOT quickly! Contact only switch/plug when turning on.

To J/L/H Track Mount:

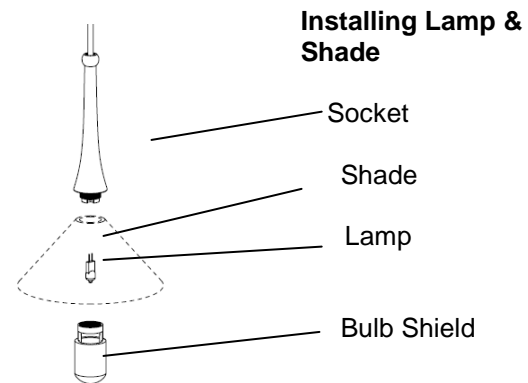
1. PLD-HTK501 are designed for use on WAC H Track;
 PLD-LTK501 are designed for use on WAC L Track;
 PLD-JTK501 are designed for use on WAC JT, J2-T Track;
2. Raise the track adapter to track height. Align the contact tabs, and gently push upward while turning 90°. If installed properly the plastic detent tab will be seated in the center groove of the track.



Note: Installing the fixture from the reverse side engages the second circuit.

Installing Lamp & Shade:

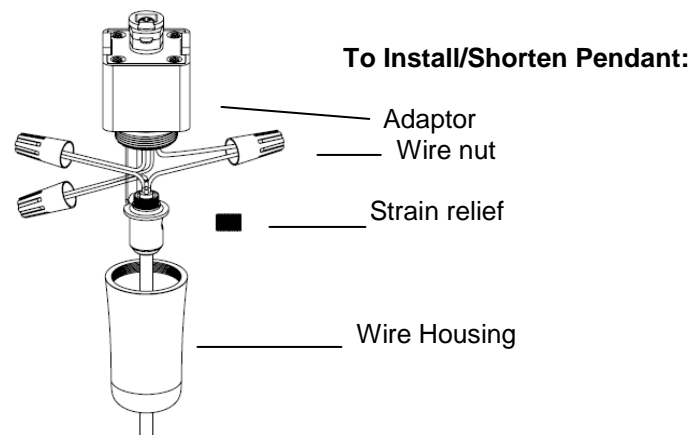
1. Insert the lamp into the fixture by aligning the pins with the socket holes, and gently pushing until lamp seats.
2. Use 120V JCD-50W bi-pin Halogen lamp with G8.0 base (supplied).
3. Position shade so that threads go through the hole in the shade and screw on Bulb Shield from below.



Accessories: series G500 glass shades.

To Install/Shorten Pendant:

1. Undo the adaptor assembly by turning the Wire Housing counter clockwise.
2. Gently pull the wires from the adaptor assembly and undo the wire nuts. Loosen the strain relief bushing and slide up the length of wire as needed.
3. Tighten the strain relief bushing, trim wires to correct length and reconnect.



Retain these instructions for future service and adjustments
 615 South Street, Garden City, NY 11530
 Tel: (516) 515-5000 Fax (516) 515-5050
www.waclighting.com