

Installation Instructions: Low Volt Halogen Track Fixture – LARC Series Model: JHT-311L HHT-311L LHT-311L

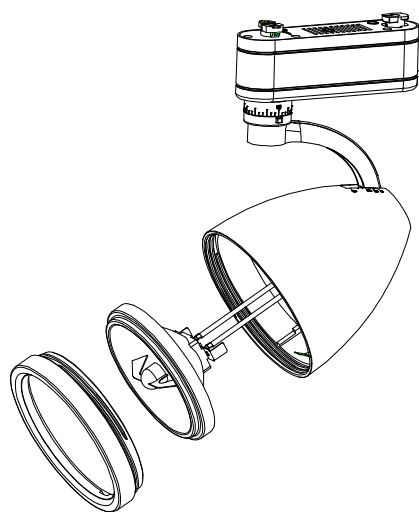
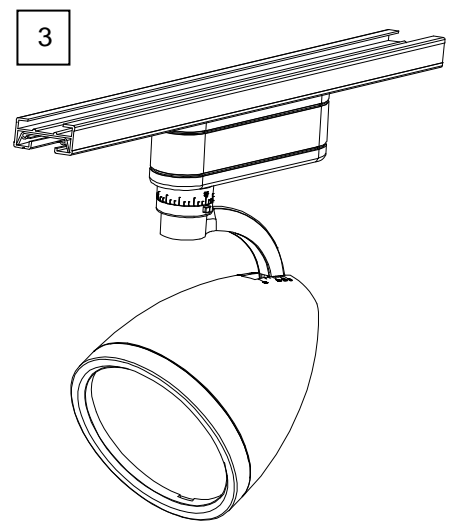
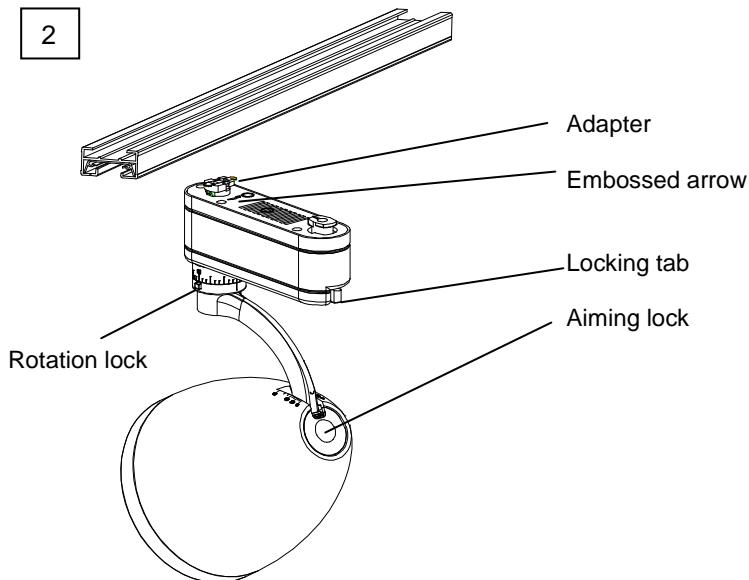
CAUTION:

For Use with WAC H L J & J2 track systems. Fixture may also be used on other manufacturers brand of track (consult factory for compatibility).

CAUTION – To reduce the risk of a burn during relamping, remove from the track before relamping.
Read all instructions before installing.

Installing on Track:

1. Note the track has a groove running its length to indicate polarity.
2. Insert adapter into track slot and rotate it 90° the embossed arrow on the adapter should point to the grooved side of the track.
3. Push up and turn the locking tab into the lock position.
4. Removal is the reverse procedure. Tracks may be positioned anywhere along the track length.
5. Vertical and horizontal aiming have push lock buttons to secure settings.



Re-Lamping:

1. Use appropriate protection when handling hot lamps.
2. Turn power off at main switch.
3. Turn lens cap counterclockwise to remove.
4. Attach wire leads to screw terminals. The lens cap assembly will position the lamp.
5. Use 12V AR111 lamp, 75W maximum.
6. Installation is the reverse procedure.