

INSTRUCTIONS:

4" Low Voltage Model HR-D414

CAUTION

Important:

Read all instructions before installing.

System is intended for installation in accordance with National Electric Code, and local regulations. Consult with local inspector to assure compliance.

To reduce the risk, electrical shock, turn off power at main switch before installing or modifying the system.

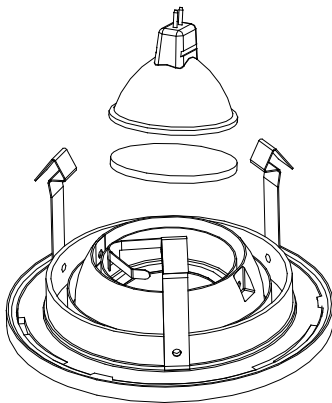
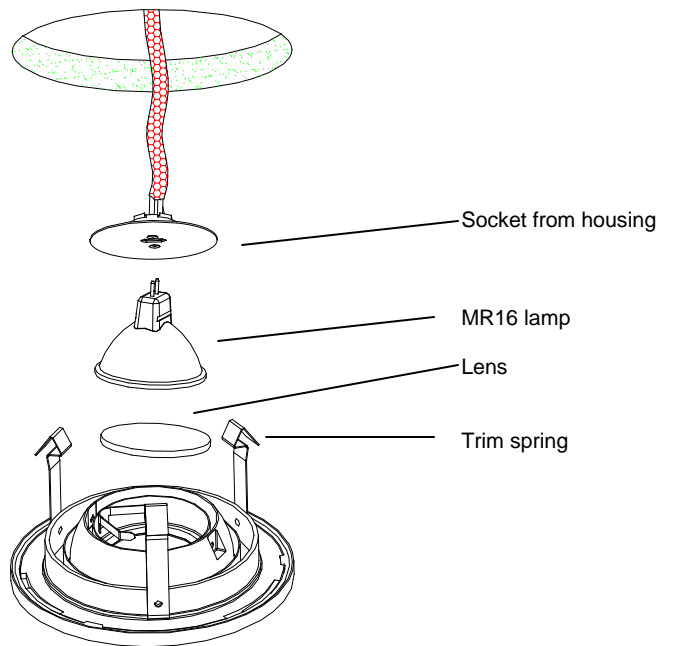
Retain instructions for future maintenance reference.

Overview:

Trims fit housings from the HR-8400 series. Housing type and trim selection will determine maximum wattage; consult catalog or spec sheet for compatibility.

Installing Lamp and Trim:

1. From the rear of the trim, install the clear glass lens (supplied) followed by an MR16 lamp.
2. The lamp is secured by pressing it into the "V" shaped spring while pushing downward.
3. Attach the socket from the housing by pushing gently on to the pins of the MR16 lamp.
4. Push the trim springs into the housing until the trim ring is flush against the ceiling.



Detailed view: lens insertion