

Instruction: QUICK ADJUST WALL SCONCE BRACKET

Model: WS-QA72

CAUTION:

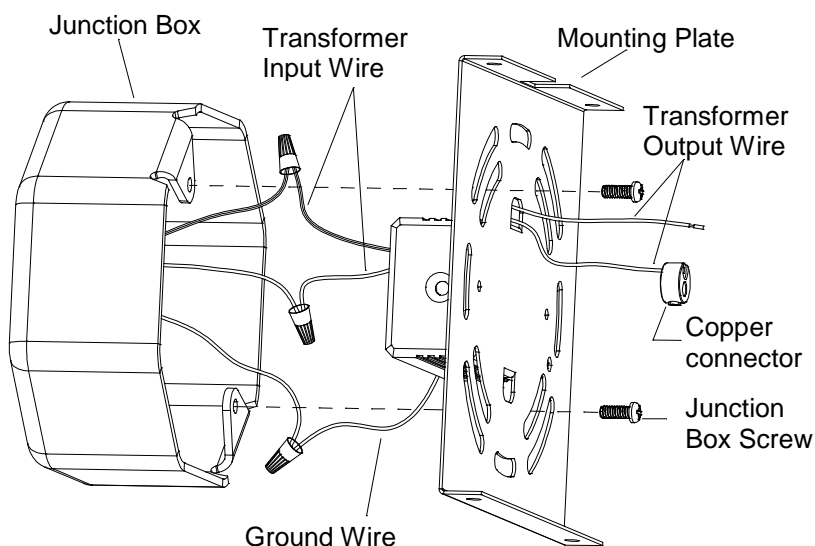
- Do not conceal or extend exposed conductors through a building wall.
- Do not install this system in wet locations.
- To reduce the risk of fire and burns, do not install this lighting system where the exposed bare conductors can be shorted or contact any conductive materials.
- Make sure all connections are tight.
- Do not install any luminaire closer than 6 inches from any curtain, or similar combustible materials.
- Turn off electrical power before modifying the lighting system in any way.
- Install over a standard 4 inch junction box.

Overview:

WS-QA72 is designed to fit all WAC Pendants. The pendant weight should be no more than 5 pounds. WS-QA72 comes with a self-contained electronic transformer that may be dimmed with an electronic low voltage dimmer switch.

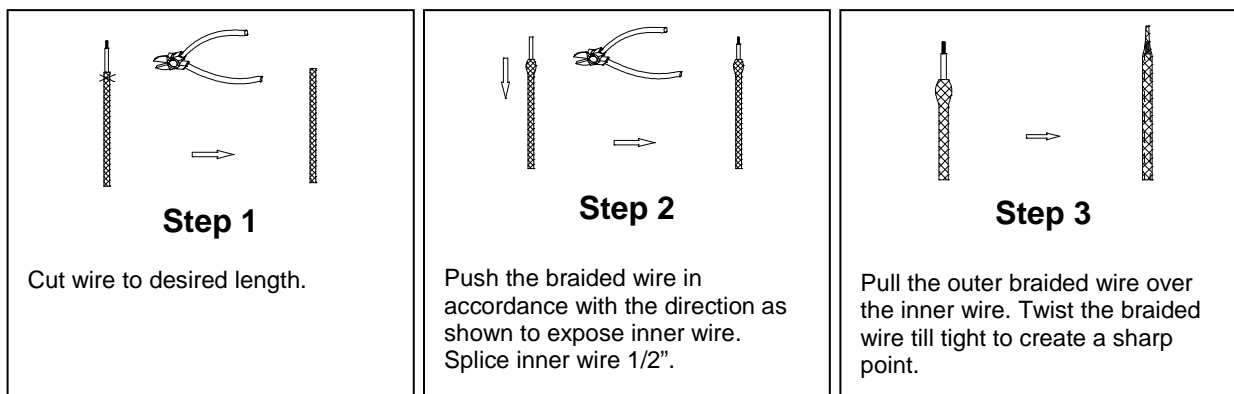
Junction box installation:

1. Loosen the four screws of the canopy, and separate the canopy from the fixture.
2. Support canopy and guide the black and white wires from the transformer into the junction box.
3. Connect ground wire from junction box to the green grounding wire from the base plate.
4. Connect corresponding line voltage wires from the junction box to transformer wires (white wire connects to white wire and black wire connects to black wire), with wire nuts (supplied). Tuck excess wire into the junction box.
5. Attach the mounting plate to the junction box using the slotted holes and screws.



Pendant installation:

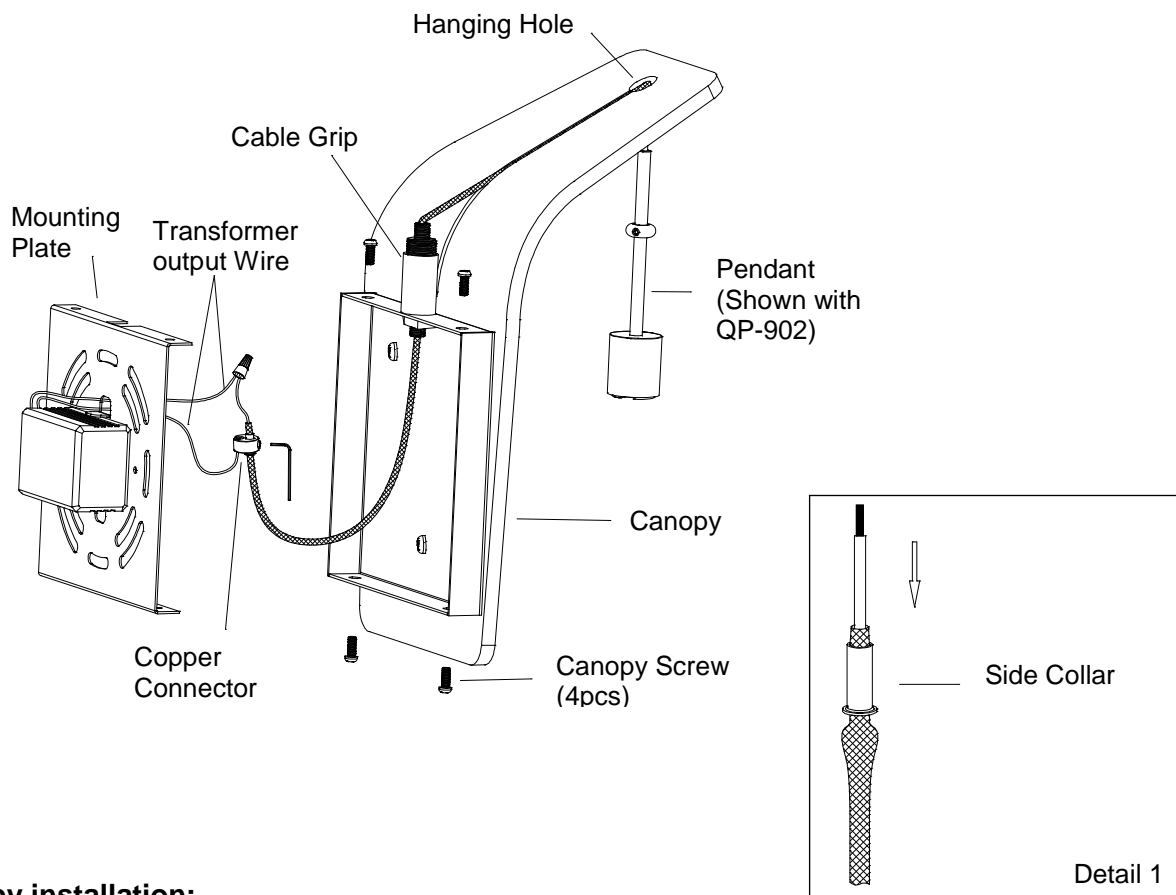
1. Make the desired cut of the "braided cord" for proper mounting height. Trim 1/2" of insulation from the inner wire.



Instruction: QUICK ADJUST WALL SCONCE BRACKET

Model: WS-QA72

2. Refer to the instructions of the pendant and the glass shade, assemble the glass shade to the pendant (the pendant and the glass shade are ordered separately).
3. Feed the braided cord through the hanging hole and cable grip, and feed the braided cord until the pendant at the desired height. It also can be adjusted after the installation completed.



Canopy installation:

1. Position the side collar (supplied) so that a small section (1/16") of braided cord protrudes from the top of the collar. (See detail 1)
2. Feed the braided cord and side collar into the hole of the copper connector and tighten the set screw with Allen wrench (supplied). (See detail 2)
3. Use wire nuts (supplied) to connect the protruding braided cord to the wire coming from the transformer.
4. Raise the canopy cover and make sure that wires are contained in the canopy cover.
5. Tighten the four canopy screws.

