

**INSTRUCTIONS:**  
**Model:**

**Compact Fluorescent Wall Sconce**  
**WS-CFL32-WT**

**CAUTION:**

- To reduce the risk of fire, electrical shock, and injuries to persons, turn off power at Main switch box prior to installation or modification.
- Read all instructions before installing.
- For installation by a qualified electrician.
- System is intended for installation in accordance with National Electrical Code, and local regulations. Consult with local inspector to assure compliance.
- Do not install in damp or wet locations.
- Install over a standard 4inch junction box.

**Overview:** This wall sconce is designed to accept WAC G-WS400 series shades. Check catalog for various style and color choices.

**Fixture Installation:**

1. Separate the mounting plate from the canopy.
2. Orient the plate so the two long screws face outward from the wall. Draw the building wires through the center hole of the mounting plate.
3. Secure the mounting plate to the junction box through the slotted holes.
4. Connect ground wire from junction box to the ground wire on the mounting plate. If using non-metallic J-box, secure the green fixture ground wire to the green ground screw on the mounting plate.
5. Connect corresponding colored wires from the building to fixture wires, with wire nuts (supplied).
6. Tuck all wire connections back into the junction box.
7. Slide the canopy onto the two outward facing screws and secure with thumbscrews.

**Installing Lamp:**

1. Lamp is installed before shade.
2. Align holes of lamp with the holes from the socket and push until lamp clicks into place.

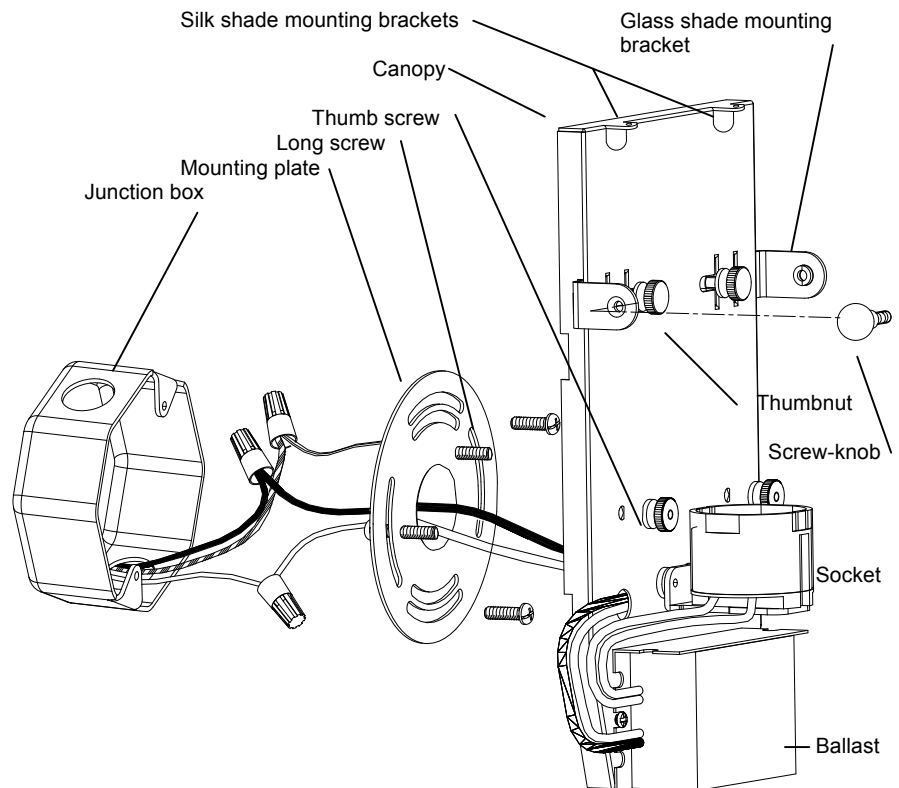
Suitable Lamps		
Type	Base	Watts
CFL	Tri-tube 4 pin	26
CFL	Tri-tube 4 pin	32

**Installing Shade:**

1. Adjustable shade mounting brackets are located on either side of the canopy.
2. Raise the shade to the canopy to determine the correct adjustment width.
3. Secure the adjustment with thumbnuts.
4. Align the shade holes with the bracket holes and mount with two screw-knobs.

**For Silk shades:**

5. Silk shade mounting brackets are located on the top of the canopy.
6. Use the Screw knobs to secure shade frames to canopy.



# INSTRUCTIONS: Incandescent Wall Sconce

## Model: WS-INC60-WT

### CAUTION:

- To reduce the risk of fire, electrical shock, and injuries to persons, turn off power at Main switch box prior to installation or modification.
- Read all instructions before installing.
- For installation by a qualified electrician.
- System is intended for installation in accordance with National Electrical Code, and local regulations. Consult with local inspector to assure compliance.
- Do not install in damp or wet locations.
- Install over a standard 4inch junction box.

**Overview:** This wall sconce is designed to accept WAC G-WS400 series shades. Check catalog for various style and color choices.

### Fixture Installation:

1. Separate the mounting plate from the canopy.
2. Orient the plate so the two long screws face outward from the wall. Draw the building wires through the center hole of the mounting plate.
3. Connect ground wire from junction box to the green ground screw on the mounting plate.
4. Secure the mounting plate to the junction box through the slotted holes.
5. Connect corresponding colored wires from the building to fixture wires, with wire nuts (supplied).
6. Tuck all wire connections back into the junction box.
7. Slide the canopy onto the two outward facing screws and secure with thumbscrews.

### Installing Lamp:

1. Lamp is installed before shade.
2. Use medium base B10 or T10 lamps 60W max.

### Installing Shade:

1. Adjustable shade mounting brackets are located on either side of the canopy.
2. Raise the shade to the canopy to determine the correct adjustment width.
3. Set bracket width.
4. Secure the adjustment with two thumbnuts.
5. Align the shade holes with the bracket holes and mount with two screw-knobs.

