

INSTALLATION INSTRUCTION

EMBLEM - dweLED

WS-13020

WAC LIGHTING

Responsible Lighting®

WARNING

IMPORTANT: NEVER attempt any work without shutting off the electricity.

- Read all instructions before installing.
- System is intended for installation by a qualified electrician in accordance with the National Electrical Code and local regulations.
- Go to the main fuse box, or circuit breaker. Place the main power switch in the "OFF" position and unscrew the fuse(s) or switch "OFF" the circuit breaker switch(es) that control the power to the fixture or room that you are working on.
- Place the wall switch in the "OFF" position.

CAUTION

- All parts must be used as indicated in these instructions. Do not substitute any parts, leave parts out, or use any parts that are worn out or broken. Failure to follow this instruction could invalidate the ETL/CETL listing of this fixture.
- CAUTION When handling the fixture, do not apply pressure to the LEDs. Hold the fixture by the base only.

AVERTISSEMENT

IMPORTANT : Coupez l'électricité avant TOUTE manipulation.

- Lisez toutes les instructions avant d'installer.
- Système est destiné à être installé par un électricien qualifié en conformité avec le code national de l'électricité et les règlements locaux.
- Accédez au panneau central de disjoncteurs ou de fusibles de votre demeure et placez l'interrupteur principal en position d'arrêt (« OFF »).
- Placez l'interrupteur mural en position d'arrêt (« OFF »).

MISE EN GARDE

- Toutes les pièces doivent être utilisées tel qu'il est indiqué dans ces instructions. Ne remplacez pas les pièces, n'en laissez pas de côté et ne les utilisez pas si elles sont usées ou brisées. Le non-respect de ces instructions peut annuler l'homologation ETL/CETL du luminaire. MISE EN GARDE Ors de la manipulation de l'appareil, ne pas appliquer de pression à la LED, tenir l'appareil par la seule base.

ADVERTENCIA






IMPORTANTE: NUNCA intente hacer trabajos sin desconectar el suministro eléctrico.

- Lea y comprenda todas las instrucciones e ilustraciones por completo antes de proceder con el ensamblaje e instalación de esta lámpara.
- Sistema está diseñado para ser instalado por un electricista calificado, de acuerdo con el código eléctrico nacional y las normas locales.
- Diríjase a la caja de fusibles o a la caja del interruptor de circuito principal en su hogar. Coloque el interruptor de alimentación principal en la posición "OFF" (APAGADO).
- Coloque el interruptor de la pared en la posición "OFF" (APAGADO).

PRECAUCIÓN

- Todas las piezas deben usarse como lo indican estas instrucciones. No reemplace las piezas, no omita piezas durante la instalación ni utilice piezas gastadas o rotas. El incumplimiento de esta indicación podría invalidar la calificación ETL/CETL esta lámpara. PRECAUCIÓN Al manipular el aparato, no aplique presión a los LED, mantenga el aparato en la base sólo.

HARDWARE

				
A1	B1	C1	D1	E1
Wire Connector Qty: 3 pcs 7EAC112201	Junction Box Screw Qty: 2pcs +1 Extra 7MPF0415C2 #8-32x5/8 SS	Mounting Screw Qty: 1 Extra 7MPF0408S3 5/32-32x1/3 Nickel Plating	Plastic Anchor Qty: 2 pcs + 1 Extra 7TDD082401	Wood Screw Qty: 2pcs + 1 Extra 7MPF2204J2 Ø4x22 Nickel Plating

WAC Lighting

www.waclighting.com

Phone (800) 526.2588 • Fax (800) 526.2585

Headquarters/Eastern Distribution Center

44 Harbor Park Drive • Port Washington, NY 11050

Phone (516) 515.5000 • Fax (516) 515.5050

Western Distribution Center

1750 Archibald Ave • Ontario, CA 91761

Phone (800) 526.2588 • Fax (800) 526.2585



INSTALLATION INSTRUCTION
EMBLEM - dweLED
WS-13020

PREPARATION

1. Shut off the power at the circuit breaker and remove existing fixture, including the mounting hardware.
2. Carefully unpack your new fixture and lay out all the parts on a clear area. Be careful not to lose any small parts necessary for installation.

MOUNTING THE FIXTURE (Fig. 1)

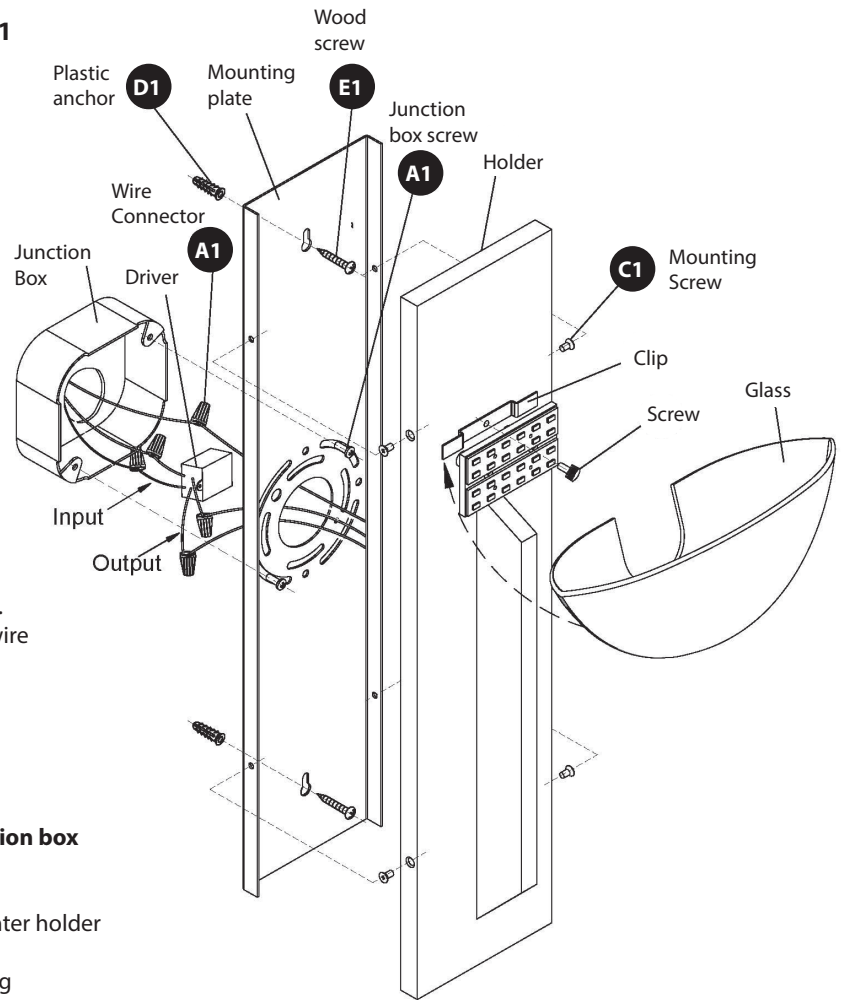
3. Remove the screws (C1) from the fixture.
4. Drill holes in the wall aligned with the key hole location in mounting plate.
5. Insert plastic anchors (D1) into holes.
6. Connect the transformer input wires to junction box wires as shown in **Fig. 2**, making sure that all wire connectors (B1) are secured. Fixture and junction box ground wires should be connected to mounting plate using green screw provided. After wires are connected, tuck them carefully inside the junction box.
7. Connect the transformer output wires to the fixture wires. Red (+) to Red (+) and black (-) to black (-). Make sure all wire connectors are secure.
8. Secure the mounting plate to the junction box using junction box screws (A1). The side of the mounting plate marked "GND" must face out.
9. Fasten wood screws (E1) into plastic anchors (D1) and hold the mounting plate tight.

***Requires Transformer to be recessed within the junction box**

COMPLETING INSTALLATION (Fig. 1)

10. Slide the glass at the back of LED module, sit onto the center holder of fixture. Secure with clip and screw.
11. Place the fixture over the mounting plate and secure using mounting screws (C1).

FIG.1



Back Plate Dimensions

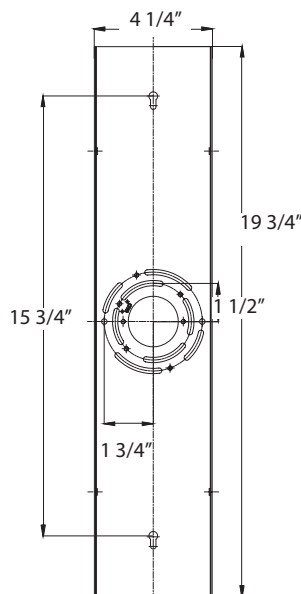


Fig.2 Wiring

