

INSTALLATION INSTRUCTION

Flood - Endurance Wall Pack

WP-LED335

WAC LIGHTING
Responsible Lighting®

WARNING

IMPORTANT: NEVER attempt to do any work without shutting off the electricity.

1. Read all instructions before installing.
2. System is intended for installation by a qualified electrician in accordance with the National Electrical Code and local regulations.
3. Place the wall switch in the "OFF" position.
4. Go to the main fuse box, or circuit breaker. Unscrew the fuse(s) or switch "OFF" the circuit breaker switch(es) that control the power to the space that you are working on.

CAUTION

- All parts must be used as indicated in these instructions. Do not substitute any parts, leave parts out, or use any parts that are worn out or broken. Failure to follow this instruction may invalidate the ETL/cETL listing of this fixture.

AVERTISSEMENT

IMPORTANT : Coupez l'électricité avant TOUTE manipulation.

- Lisez toutes les instructions avant d'installer.
- Système est destiné à être installé par un électricien qualifié en conformité avec le code national de l'électricité et les règlements locaux.
- Placez l'interrupteur mural en position d'arrêt (« OFF »).
- Toujours mettre le fusible ou le disjoncteur en position arrêt dans la pièce ou des travaux électriques sont prévus

MISE EN GARDE

- Toutes les pièces doivent être utilisées tel qu'il est indiqué dans ces instructions. Ne remplacez pas les pièces, n'en laissez pas de côté et ne les utilisez pas si elles sont usées ou brisées. Le non-respect de ces instructions peut annuler l'homologation ETL/cETL du luminaire.

ADVERTENCIA

IMPORTANTE: NUNCA intente hacer trabajos sin desconectar el suministro eléctrico.

- Lea y comprenda todas las instrucciones e ilustraciones por completo antes de proceder con el ensamblaje e instalación de esta lámpara.
- Sistema está diseñado para ser instalado por un electricista calificado, de acuerdo con el código eléctrico nacional y las normas locales.
- Coloque el interruptor de la pared en la posición "OFF" (APAGADO).
- Diríjase a la caja de fusibles o a la caja del interruptor de circuito principal en su hogar. Coloque el interruptor de alimentación principal en la posición "OFF" (APAGADO).

PRECAUCIÓN

- Todas las piezas deben usarse como lo indican estas instrucciones. No reemplace las piezas, no omita piezas durante la instalación ni utilice piezas gastadas o rotas. El incumplimiento de esta indicación podría invalidar la calificación ETL/cETL esta lámpara.

A1



Wire connector
Qty: 3pcs

B1



Junction box screw
Qty: 2pcs + 1 extra

B2



Assembly screw with gasket
Qty: 2pcs + 1 extra

WAC Lighting
www.waclighting.com
Phone (800) 526.2588 • Fax (800) 526.2585

Headquarters/Eastern Distribution Center
44 Harbor Park Drive • Port Washington, NY 11050
Phone (516) 515.5000 • Fax (516) 515.5050

Western Distribution Center
1750 Archibald Ave • Ontario, CA 91761
Phone (800) 526.2588 • Fax (800) 526.2585



FOR RECESSED JUNCTION BOX

STEP 1:

- Mount back plate and gasket to existing junction box with junction box screws (B1) loosely, then tighten the screws.

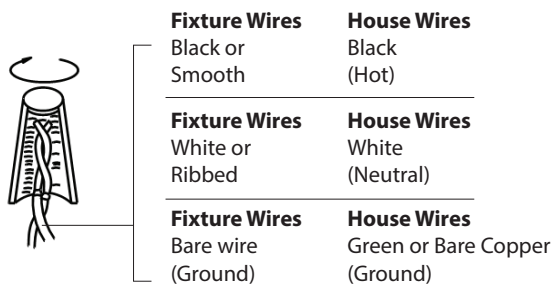
STEP 2:

- Remove conduit and keyhole caps as needed.
- Wrap locking nut with tread seal tape to act as a sealant.
- Mount fixture housing onto square canopy plate.
- Tighten locking nut to secure fixture position.

STEP 3:

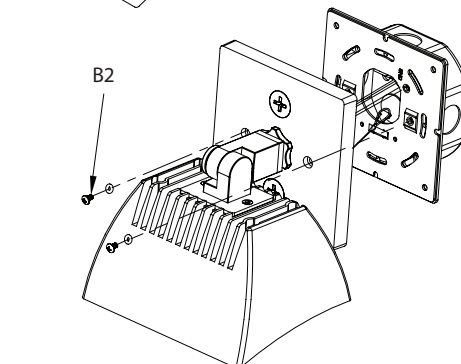
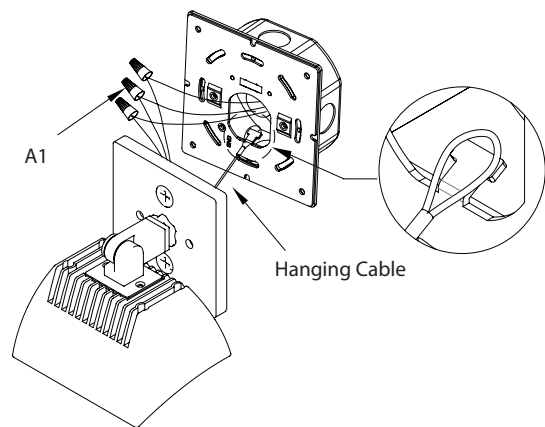
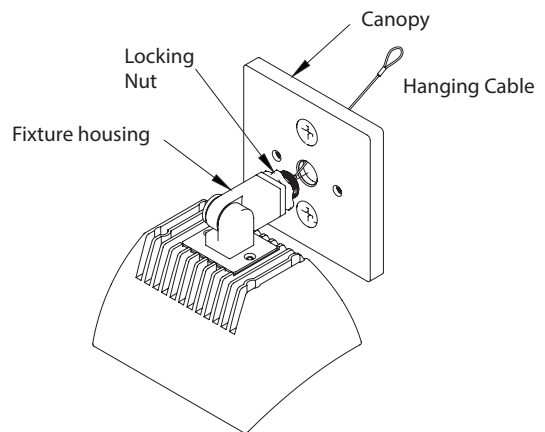
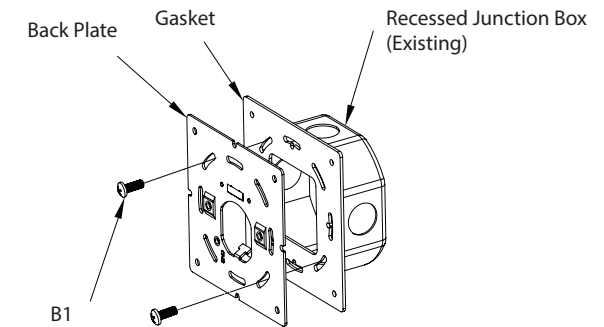
- Hang fixture housing canopy plate onto back using hanging cable.
- Connect the electrical wires as shown in **Fig. 1**, making sure that all wire connectors (A1) are secured. If your outlet box has a green or bare copper ground wire, connect the fixture's ground wire to it. After wires are connected, tuck them carefully inside the junction box.

Fig.1 Wiring



STEP 4:

- Mount fixture housing and canopy onto back plate with assembly screws with gasket (B2).
- Tighten all conduit caps with thread seal tape.



FOR EXPOSED JUNCTION BOX

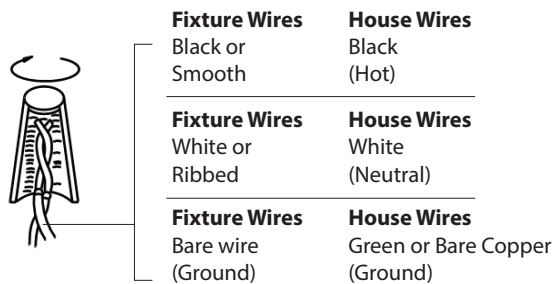
STEP 1:

- Remove conduit caps as needed.
- Wrap locking nut with thread seal tape to act as a sealant.
- Mount fixture housing onto round canopy plate.
- Tighten locking nut to secure fixture position.

STEP 2:

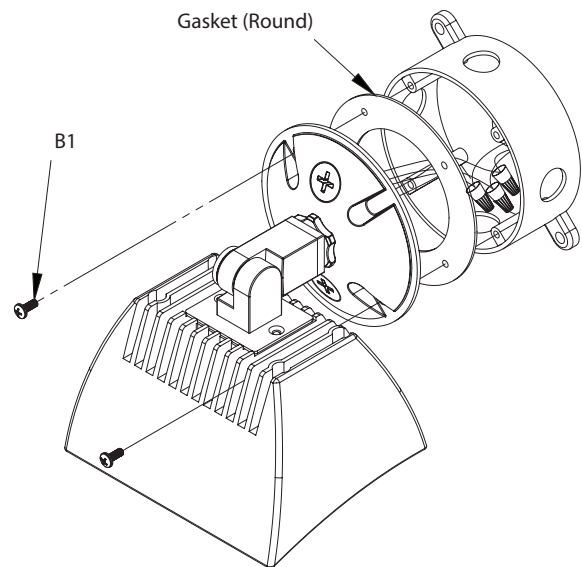
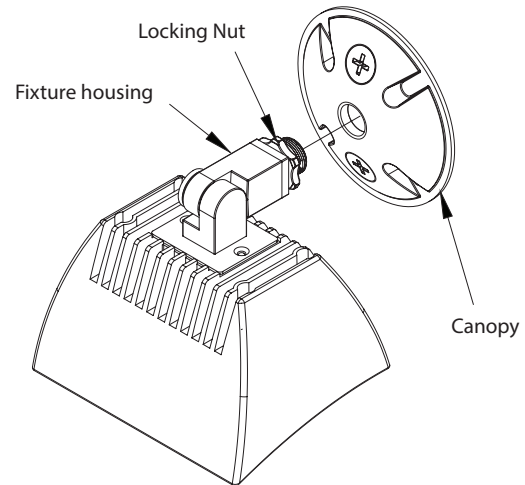
- Connect the electrical wires as shown in **Fig. 1**, making sure that all wire connectors (A1) are secured. If your outlet box has a green or bare copper ground wire, connect the fixture's ground wire to it. After wires are connected, tuck them carefully inside the junction box.

Fig.1 Wiring



STEP 3:

- Mount fixture housing onto Junction Box with junction box screws (B1).
- Tighten all conduit caps with thread seal tape.



INSTALLATION INSTRUCTION

Flood - Endurance Wall Pack

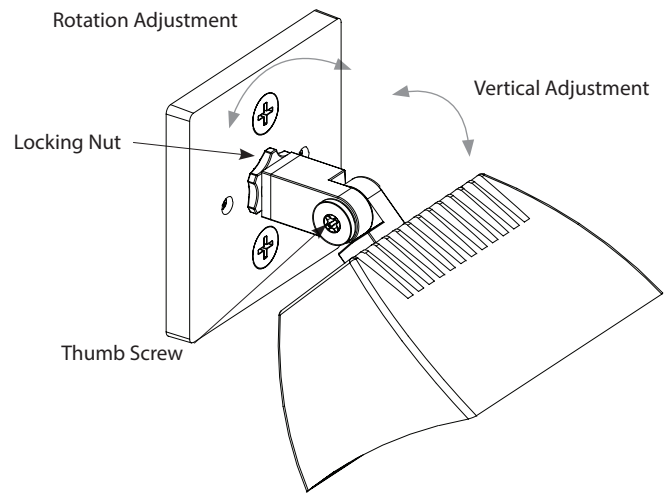
WP-LED335

WAC LIGHTING

Responsible Lighting®

ADJUSTING THE LUMINAIRE

- **Vertical Adjustment:** Loosen thumb screw, rotate fixture to desired angle ($\pm 90^\circ$), and tighten thumb screw.
- **Rotation Adjustment:** Loosen locking nut, rotate fixture to desired angle (360°), and tighten locking nut.



COMPLETING THE INSTALLATION:

To prevent moisture from entering the outlet box and causing a short, use caulking (i.e. silicone sealant) to outline the outside of Flood junction box where it meets the wall while leaving the bottom side unsealed to allow moisture to escape.

Note: Flood is suitable for wet location installations in all mounting orientations.

COMPATIBLE DIMMERS

BRAND	MODEL NUMBER	TYPE
Lutron	Diva DVELV-300P	ELV 120V
Lutron	SkyLark SELV-300P	ELV 120V
Lutron	Nova-T NTELV-300	ELV 120V
Lutron	Nova-T NTELV-600	ELV 120V

Please visit our website or contact a WAC Lighting professional for a complete list of compatible dimmers and sensors.

WAC Lighting
www.waclighting.com
Phone (800) 526.2588 • Fax (800) 526.2585

Headquarters/Eastern Distribution Center
44 Harbor Park Drive • Port Washington, NY 11050
Phone (516) 515.5000 • Fax (516) 515.5050

Western Distribution Center
1750 Archibald Ave • Ontario, CA 91761
Phone (800) 526.2588 • Fax (800) 526.2585

