

INSTALLATION INSTRUCTION

Wiring Box with switch

TB-S

WAC LIGHTING

Responsible Lighting®

CAUTION:

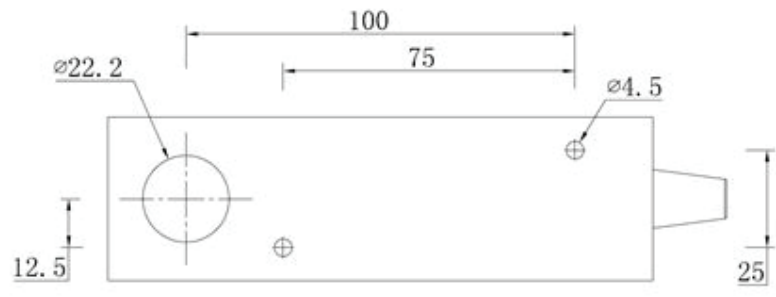
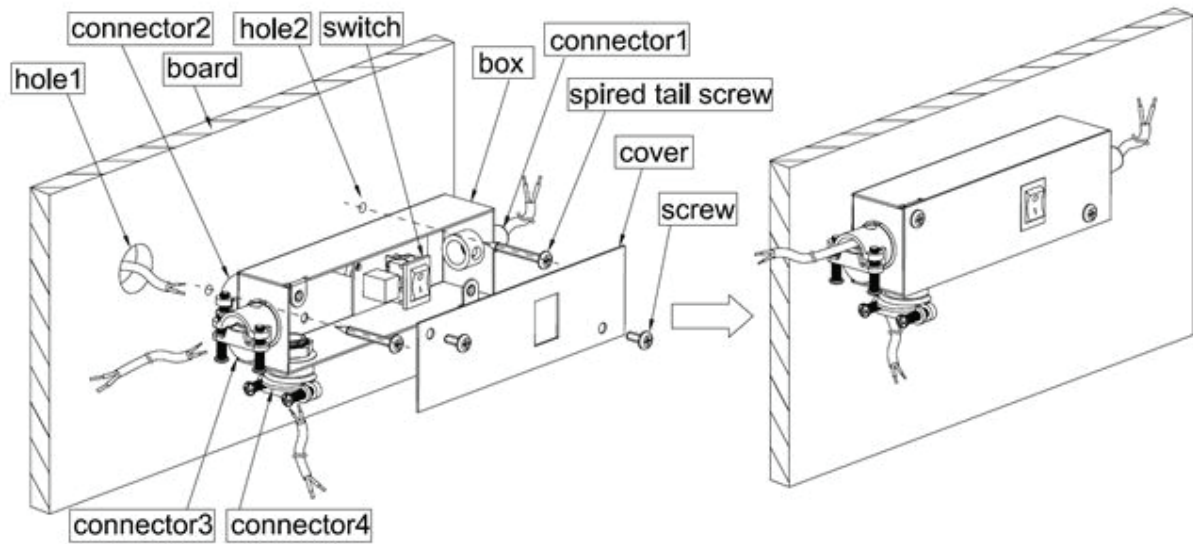
- Always turn off power at main switch prior to installation to prevent electrical shock.
- Intended for installation by a qualified electrician.

FEATURES:

- For low voltage wiring use only. Rated: AC/DC 12V-24V, 4A.
- Box size: 6-1/4" X 1-5/8" X 1-1/4".
- Wire size: 12AWG-20AWG

INSTALLATION:

- Caution: make sure power is off.
- Remove wiring box cover by unscrewing. Then push out the half-cover and install the connector with clip into the wiring box.
- Strip 5/16" of the end of wires, Connect with the wires. Fasten the wires with clip.
- Put the spired tail screw into board for fastening the wiring box.
- Replace wiring box cover.



WAC Lighting
www.waclighting.com
Phone (800) 526.2588 • Fax (800) 526.2585

Headquarters/Eastern Distribution Center
44 Harbor Park Drive • Port Washington, NY 11050
Phone (516) 515.5000 • Fax (516) 515.5050

Western Distribution Center
1750 Archibald Ave • Ontario, CA 91761
Phone (800) 526.2588 • Fax (800) 526.2585