

INSTALLATION INSTRUCTION
H / L / J Track Suspension Adjustment Collar Kit
SK05

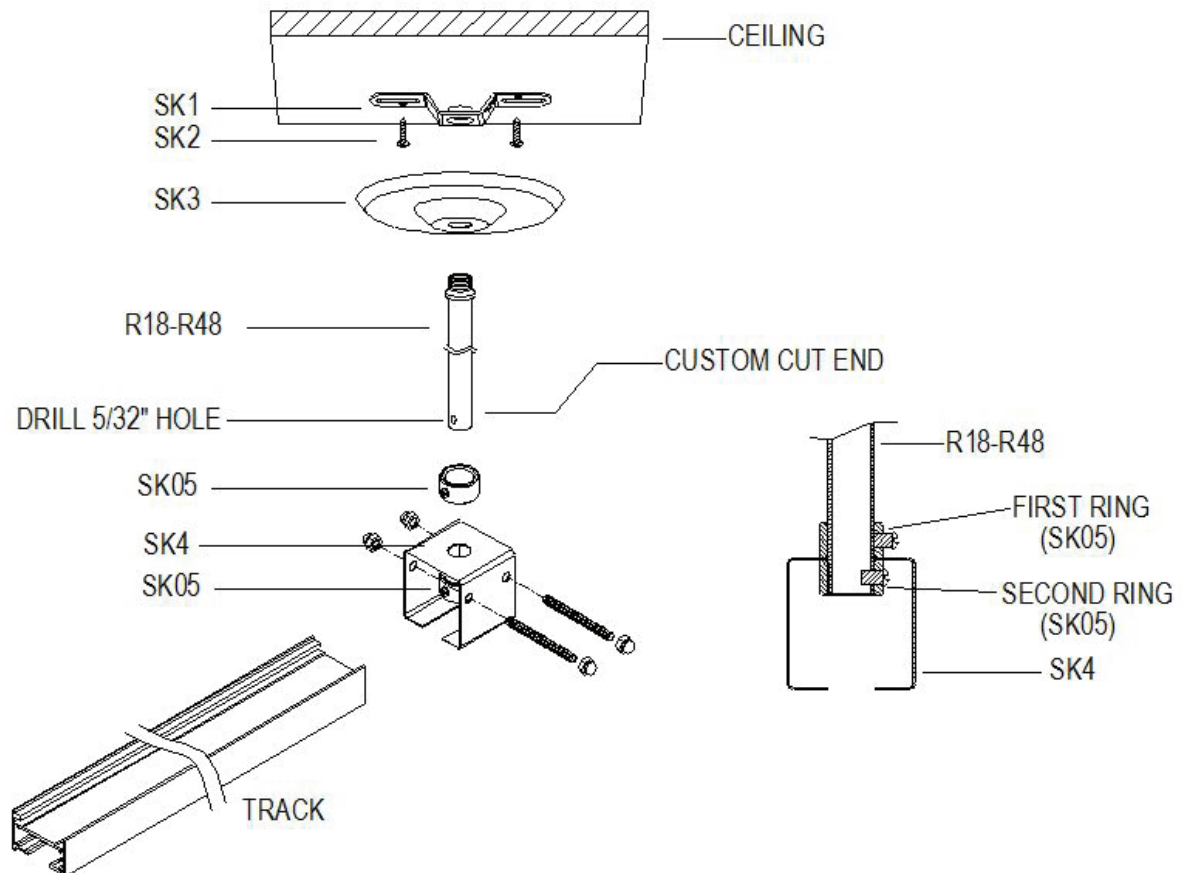
WAC LIGHTING
Responsible Lighting®

CAUTION:

Always turn off power at fuse box prior to installation to prevent electrical shock.
For installation by a qualified electrician.

1. Cut one end of the extension rod (R18 - R48) to desired length.
2. Drill a 5/32" diameter hole at 3/8" above the cut end.
3. Secure cross bar (SK1) up against ceiling or outlet box.
4. Push the uncut end of the extension rod (R18 - R48) through the canopy plate (SK3) and tighten by screwing into the cross bar (SK1).
5. Insert the first ring (SK05) through the extension rod (R18 - R48) followed by the track clamp (SK4) and the second ring (SK05).
6. Tighten the screw from the second ring (SK05) into the drilled hole.
7. Allow the track clamp (SK4) to rest on the second ring, and tighten the first ring (SK05) to the extension rod in order to hold the track clamp (SK4) on place.

Track suspension kit sold separately.



WAC Lighting
www.waclighting.com
Phone (800) 526.2588 • Fax (800) 526.2585

Headquarters/Eastern Distribution Center
44 Harbor Park Drive • Port Washington, NY 11050
Phone (516) 515.5000 • Fax (516) 515.5050

Western Distribution Center
1750 Archibald Ave • Ontario, CA 91761
Phone (800) 526.2588 • Fax (800) 526.2585