

# INSTRUCTIONS: 8" Horizontal Frame in Kits

Models: R8HF-D R8HF-S

### Important:

Read all instructions before installing.

For installation by a qualified electrician.

System is intended for installation in accordance with National Electric Code, and local regulations.

Consult with local inspector to assure compliance.

To reduce the risk of fire, electrical shock and injuries to persons, turn off power at main switch before installing or modifying the system.

Warning: (Risk of fire) do not install insulation within 3 inches of fixture sides, or junction box, or in a manner to entrap heat.

Retain instructions for future maintenance reference.

### Overview:

Housings for this series are non-insulation contact, new construction type. Housing requires a trim

For the R8H series and lamp to be complete (ordered separately).

### Mounting:

1. Cut out a hole 8 1/8" in the drywall.
2. Install MOUNTING FRAME using ADJUSTABLE MOUNTING BRACKET, as shown in the Fig.1 ,Fig.2 and Fig.3.
3. Adjust MOUNTING FRAME to the proper height by loosening the wing nuts on both adjustable brackets and setting the MOUNTING FRAME so that the bottom edge of the MOUNTING FRAME does not extrude from the surface of the finished ceiling. Tighten the wing nuts.
4. Junction box is suitable for branch wiring and is supplied with trade size knockouts and integral Romex connectors
5. For Romex, pry open the knock out and push the wire through the clamp plate inside.
  - a) Wire connections must be installed in a manner that does not interfere with the strain relief action of the clamp.

**NOTE :**To insure proper installation it is important that the MOUNTING FRAME always be secured to the structural ceiling members.

**NOTE :**Final vertical adjustments can be made by means of WING NUT AND SCREW (Fig.1) on the inside of MOUNTING FRAME.

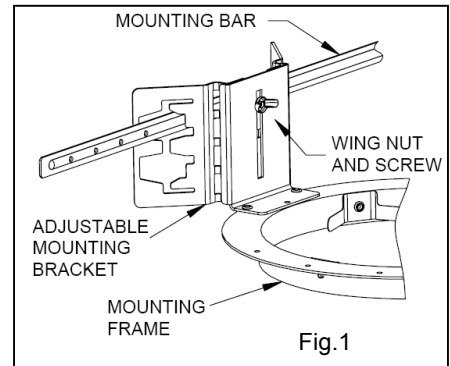
### Wiring:

1. Remove spring latched junction box door and connect fixture wires to building wires in the following sequence: White fixture wire to white neutral wire, black fixture wire to (hot) black wire and green ground wire to bare ground wire.
2. Use push-in type wire connectors supplied, or wire nuts.
3. Replace junction box door.

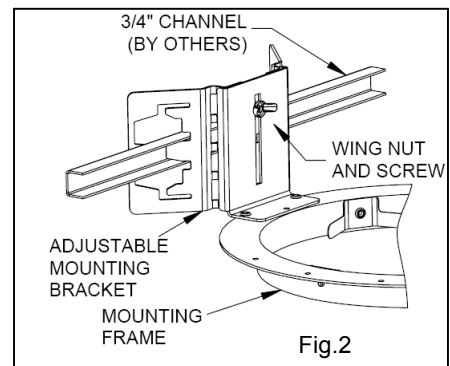
### Finishing:

1. Pull socket cup through hole of the MOUNTING FRAME.

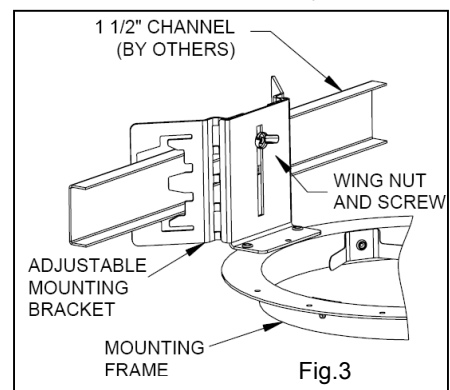
#### a. With MOUNTING BAR (order separately)



#### b. With 3/4" CHANNEL (by others)



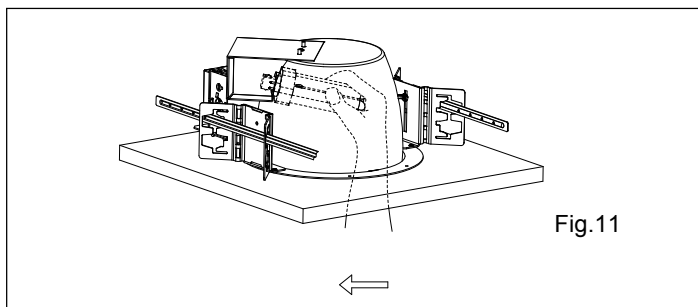
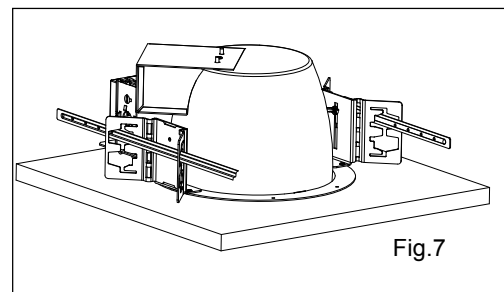
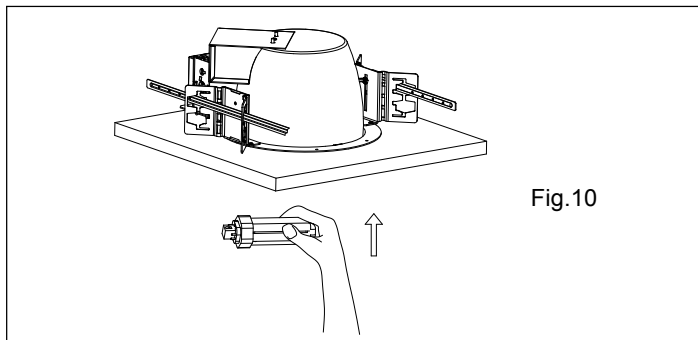
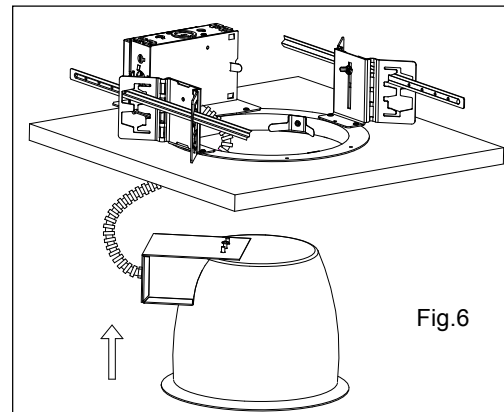
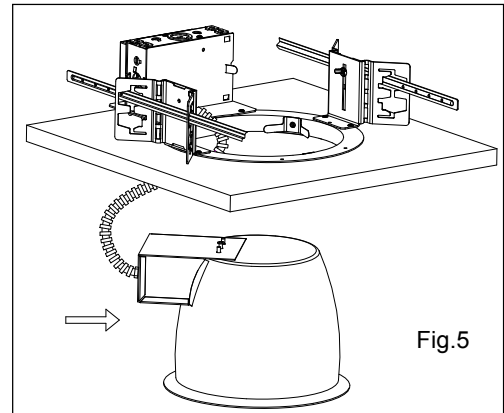
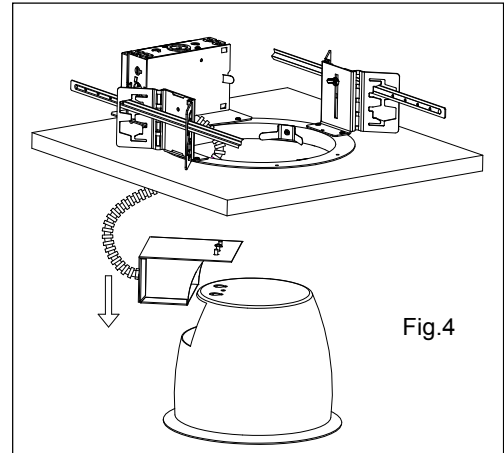
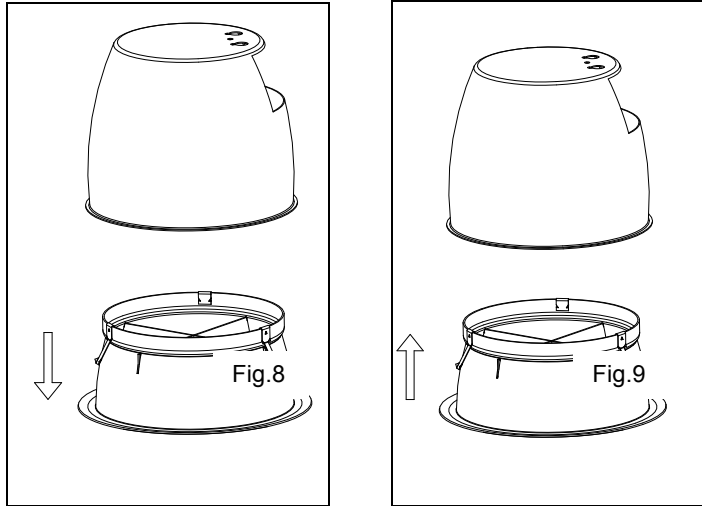
#### c. With 1 1/2" CHANNEL (by others)



**Installing Trims:**

1. Push socket cup to insert trim by hand as shown in the Fig.4 and Fig.5.
2. Tighten the three screws of socket cup.
3. Push the trim up to the finished position. as shown in Fig.6 and Fig.7.

NOTE: Remove the decorated part first, when install R8HT-03, R8HT-06 or R8HT-07 trim, as shown in the Fig .8 to Fig.9.



**Installing or replacing lamp:**

Insert or replace the lamp through the trim as shown in Fig.10 and Fig.11.

NOTE: Remove the decorated part first, when using R8HT-03, R8HT-06 or R8HT-07 trim, as shown in the Fig .9 to Fig.10.