

INSTRUCTIONS: GU24 Line Volt Pendant Light

Model: PLD-MFL1, PLD-MFL2

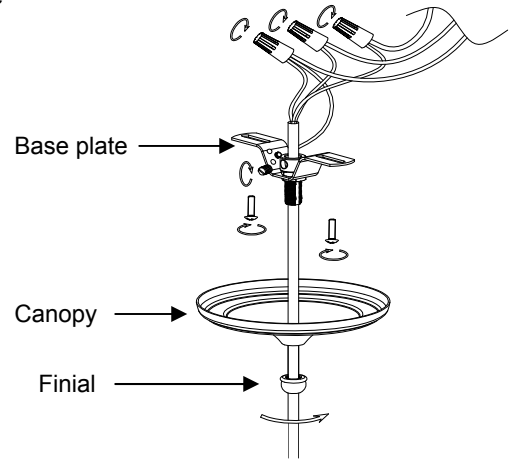
Five (5) years limited product warranty (lamp is warranted for 2 year by its manufacturer)

CAUTION: Always turn off power at the fuse box prior to installation to prevent electrical shock.

1. Do not install in damp or wet locations.
2. System is intended for installation in accordance with National Electric Code and local regulations.
3. Read all instructions before installing.

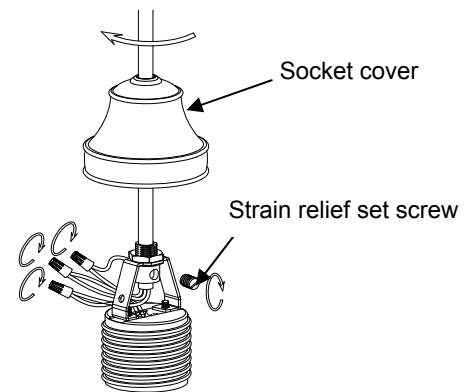
To Mount Canopy:

1. Mount the base plate to the junction box using the supplied screws.
2. Connect the black wire to the black wire from the junction box with wire nut (supplied).
3. Connect the white wire to the white wire from the junction box with wire nut (supplied).
4. Connect the green wire to the ground wire from the junction box with wire nut (supplied).
5. Tuck wires and wire nuts into junction box.
6. Raise the canopy to the ceiling and secure with finial nut.



To Field Shorten Pendant:

1. The length of the cord is adjustable to desired pendant height.
2. Unscrew socket cover.
3. Loosen the strain relief set screw.
4. Remove the wire nuts and pull out the cord.
5. Cut the cord to desired length; leave enough length for splicing wires.
6. Carefully strip cord's outer insulation. Be sure not to disturb protective insulation on individual inner wires.
7. Strip enough insulation off the ends of inner wires for splicing.
8. Slip the cord through the socket cover and tighten the strain relief set screw over the cord.
9. Connect the black wire to the black wire of socket with wire nut (supplied).
10. Connect the white wire to the white wire of socket with wire nut (supplied).
11. Connect the green wire to the ground wire of socket with wire nut (supplied).
12. Secure the socket cover.



To install lamp and shade

Check the glass shade before installation. If there are three holes on the surface of glass shade, follow the Installation I. Otherwise, follow the Installation II.

Installation I – GU24 lamp 26watt max

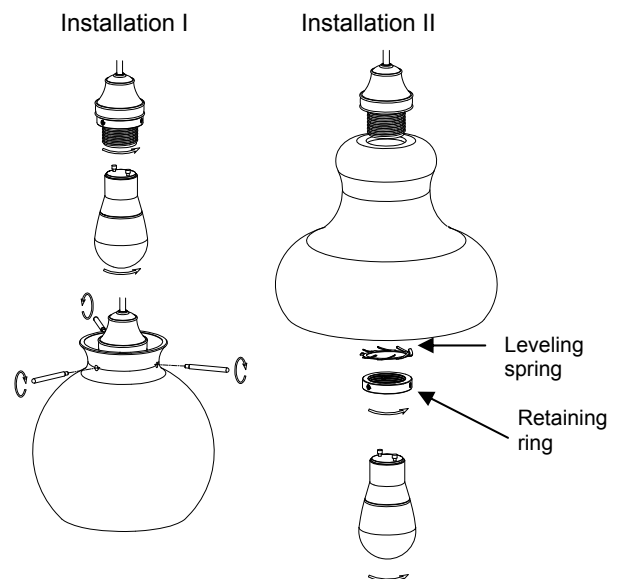
1. Make the retaining ring snug to the socket.
2. Screw the lamp into the socket.
3. Raise the shade to align with socket holes.
4. Thread the three spokes through the shade holes into the socket-retaining ring.

Installation II – GU24 lamp 26watt max

1. Slip the shade over the socket.
2. Slip the leveling spring over the socket, and then use the retaining ring to secure the shade to the socket.
3. Screw the lamp into the socket.

To use the lighting fixture

After complete the installation, turn on the power switch, and the new lighting fixture is ready to use.



WAC LIGHTING
Responsible Lighting®

Retain these instructions for future service and adjustments
44 Harbor Park Drive, Port Washington, NY 11050
Tel: (800) 526-2588 Fax (800) 526-5050
www.waclighting.com